

На основу члана 112. став 1. тачка 2. Устава Републике Србије, доносим

УКАЗ

о проглашењу Закона о потврђивању измена и допуна 24, 25, 26, 27, 28, 29, 30, 31, 32, 33, 34 и 35 Царинске конвенције о међународном превозу робе на основу исправе за МДП (Карнета TIR) (Конвенција TIR, 1975)

Проглашава се Закон о потврђивању измена и допуна 24, 25, 26, 27, 28, 29, 30, 31, 32, 33, 34 и 35 Царинске конвенције о међународном превозу робе на основу исправе за МДП (Карнета TIR) (Конвенција TIR, 1975), који је донела Народна скупштина Републике Србије на седници Осмог ванредног заседања у Дванаестом сазиву, 14. јула 2021. године.

ПР број 99

У Београду, 15. јула 2021. године

Председник Републике,

Александар Вучић, с.р.

ЗАКОН

о потврђивању измена и допуна 24, 25, 26, 27, 28, 29, 30, 31, 32, 33, 34 и 35 Царинске конвенције о међународном превозу робе на основу исправе за МДП (Карнета TIR) (Конвенција TIR, 1975)

"Службени гласник РС - Међународни уговори", број 14 од 19. јула 2021.

Члан 1.

Потврђују се измене и допуне 24, 25, 26, 27, 28, 29, 30, 31, 32, 33, 34 и 35 Царинске конвенције о међународном превозу робе на основу исправе за МДП (Карнета TIR) (Конвенција TIR, 1975), усвојене 14. новембра 1975. године у Женеви, у оригиналу на енглеском, француском и руском језику.

Члан 2.

Текст измена и допуна 24, 25, 26, 27, 28, 29, 30, 31, 32, 33, 34 и 35 Царинске конвенције о међународном превозу робе на основу исправе за МДП (Карнета TIR) (Конвенција TIR, 1975), у оригиналу на енглеском језику и у преводу на српски језик, гласи:

Amendment 24

(Amendments which were adopted pursuant to Article 59 of the Convention and which entered into force on 19 September 2004)

AMENDMENT PROPOSAL TO THE TIR CONVENTION, 1975

adopted by
the Administrative Committee for the TIR Convention, 1975
on 26 October 2001

Article 26, paragraph 1:

Add a new sentence at the end of the paragraph to read as follows:

“Where the Customs seals have not remained intact, the Customs authorities may accept the TIR Carnet for resumption of the TIR transport under the provisions of Article 25.”

Amendment 25

(Amendments which were adopted pursuant to Article 59 of the Convention and which entered into force on 1 October 2005)

AMENDMENT PROPOSAL TO THE TIR CONVENTION, 1975

adopted by the Administrative Committee for the TIR Convention, 1975
on 15 October 2004

Annex 2, Article 3, paragraphs 9 and 10

Replace the first two paragraphs of Annex 2, Article 3, paragraph 9 by the following text:

“9 The following fastenings shall be used;

(a) steel wire ropes of at least 3 mm diameter; or

(b) ropes of hemp or sisal of at least 8 mm diameter encased in a transparent sheath of unstretchable plastic; or

(c) ropes consisting of batches of fibre-optic lines inside a spirally wound steel housing encased in a transparent sheath of unstretchable plastic; or

(d) ropes comprising a textile cord surrounded by at least four strands consisting solely of steel wire and completely covering the core, under the condition that the ropes (without taking into account the transparent sheath, if any) are not less than 3 mm in diameter.

Ropes in accordance with paragraph 9 (a) or (d) of this Article may have a transparent sheath of unstretchable plastic.”

Replace Annex 2, Article 3, paragraph 10 by the following text:

“10 Each type of rope shall be in one piece and shall have a hard metal end-piece at each end. Each metal end-piece shall allow the introduction of the thread or strap of the Customs seal. The fastener of each metal end-piece of ropes in accordance with the provisions of paragraph 9 (a), (b) and (d) of this Article shall include a hollow rivet passing through the rope so as to allow the introduction of the thread or strap of the Customs seal. The rope shall remain

visible on either side of the hollow rivet so that it is possible to ensure that the rope is in one piece (see sketch No. 5 appended to these Regulations).”

Annex 7, Part I, Article 4, paragraphs 9 and 10

Replace the first two paragraphs of Annex 7, Part I, Article 4, paragraph 9 by the following text:

“9 The following fastenings shall be used;

(a) steel wire ropes of at least 3 mm diameter; or

(b) ropes of hemp or sisal of at least 8 mm diameter encased in a transparent sheath of unstretchable plastic; or

(c) ropes consisting of batches of fibre-optic lines inside a spirally wound steel housing encased in a transparent sheath of unstretchable plastic; or

(d) ropes comprising a textile cord surrounded by at least four strands consisting solely of steel wire and completely covering the core, under the condition that the ropes (without taking into account the transparent sheath, if any) are not less than 3 mm in diameter.

Ropes in accordance with paragraph 9 (a) or (d) of this Article may have a transparent sheath of unstretchable plastic.”

Replace Annex 7, Part I, Article 4, paragraph 10 by the following text:

“10 Each type of rope shall be in one piece and shall have a hard metal end-piece at each end. Each metal end-piece shall allow the introduction of the thread or strap of the Customs seal. The fastener of each metal end-piece of ropes in accordance with the provisions of paragraph 9 (a), (b) and (d) of this Article shall include a hollow rivet passing through the rope so as to allow the introduction of the thread or strap of the Customs seal. The rope shall remain visible on either side of the hollow rivet so that it is possible to ensure that the rope is in one piece (see sketch No. 5 appended to these Regulations).”

Amendment 26

(Amendments which were adopted pursuant to Article 59 of the Convention and which entered into force on 1 April 2006)

AMENDMENT PROPOSAL TO THE TIR CONVENTION, 1975

adopted by the Administrative Committee for the TIR Convention on 3 February 2005

Annex 1 of the Convention

Model of the TIR Carnet: VERSION 1 and VERSION 2 Amend

– Page 1 of cover, box 3 “(nom, adresse, pays/*name, address, country*)” to read as follows: “(numéro d’identification, nom, adresse, pays/*identification number, name, address, country*)”

- Voucher No. 1 and voucher No. 2, box 4 "(name, address and country)" to read as follows: "(identification number, name, address and country)"
- Certified report, box 5 "Holder of the carnet" to read as follows: "Holder of the carnet (identification number, name, address and country)"

Annex 9 of the Convention, Part II

Amend the Model Authorization Form (MAF), second paragraph, first indent below the table to read as follows:

"- Individual and unique identification (ID) number assigned to the person by the guaranteeing association (in cooperation with the international organization to which it is affiliated) in accordance with a harmonized format. The format of an ID-number shall be determined by the Administrative Committee."

Amendment 27

(Amendments which were adopted pursuant to Article 59 of the Convention and which entered into force on 12 August 2006)

AMENDMENT PROPOSAL TO THE TIR CONVENTION, 1975

adopted by the Administrative Committee for the TIR Convention on 4 February 2005

New Article 42ter Add a new Article 42ter to read as follows:

"Article 42ter

The competent authorities of the Contracting Parties shall, as appropriate, provide authorized associations with information that they require to fulfil the undertaking given in accordance with Annex 9, Part I, Article 1 (f) (iii). Annex 10 sets out the information to be provided in particular cases."

Article 60

Amend the heading of Article 60 as well as paragraph 1, to read as follows:

"Article 60

Special procedure for amending Annexes 1, 2, 3, 4, 5, 6, 7, 8, 9 and 10

1. Any proposed amendment to Annexes 1, 2, 3, 4, 5, 6, 7, 8, 9 and 10 considered in accordance with paragraphs 1 and 2 of Article 59 shall come into force on a date to be determined by the Administrative Committee at the time of its adoption, unless by a prior date determined by the Administrative Committee at the same time, one-fifth or five of the States which are Contracting Parties, whichever number is less, notify the Secretary-General of the United Nations of their objection to the amendment. Determination by the Administrative Committee of dates referred to in this paragraph shall be by a two-thirds majority of those present and voting."

Add a new Annex 10 to the Convention to read as follows:

“Annex 10

INFORMATION TO BE PROVIDED BY CONTRACTING PARTIES TO AUTHORIZED ASSOCIATIONS (UNDER ARTICLE 42TER) AND AN INTERNATIONAL ORGANIZATION (UNDER ARTICLE 6.2BIS)

By virtue of Article 6, paragraph 1 and Annex 9, Part I, paragraph 1 (f) (iii) of this Convention, authorized associations are required to give an undertaking that they shall verify continuously that persons authorized to have access to the TIR procedure fulfil the minimum conditions and requirements as laid down in Annex 9, Part II of the Convention.

On behalf of its member associations and in fulfilment of its responsibilities as an international organization authorized under Article 6, paragraph 2bis, an international organization shall establish a control system for TIR Carnets to hold data, transmitted by Customs authorities and accessible by the associations and Customs administrations, about the termination of TIR operations at offices of destination. To enable the associations to fulfil their undertaking effectively, Contracting Parties shall provide information to the control system in accordance with the following procedure:

(1) Customs authorities shall transmit to an international organization or to the national guaranteeing associations, if possible via central or regional offices, by the fastest available means of communication (fax, electronic mail, etc.) and if possible on a daily basis, at least the following information in a standard format in respect of all TIR Carnets presented at Customs offices of destination, as defined in Article 1 (l) of the Convention:

- (a) TIR Carnet reference number;
- (b) Date and record number in the Customs ledger;
- (c) Name or number of Customs office of destination;
- (d) Date and reference number indicated in the certificate of termination of the TIR operation (boxes 24–28 of voucher No. 2) at the Customs office of destination (if different from (b));
- (e) Partial or final termination;
- (f) Termination of the TIR operation certified with or without reservation at the Customs office of destination without prejudice to Articles 8 and 11 of the Convention;
- (g) Other information or documents (optional);
- (h) Page number.

(2) The Model Reconciliation Form (MRF) contained in the Appendix may be addressed to Customs authorities by national associations or by an international organization:

(a) in case of discrepancies between the data transmitted and those on the counterfoils in the used TIR Carnet; or

(b) in case no data have been transmitted whereas the used TIR Carnet has been returned to the national association.

(3) Customs authorities and national guaranteeing associations shall conclude an agreement, in line with national law, covering the above data exchange.

(4) An international organization shall give Customs authorities access to the database of terminated TIR Carnets and to the database of invalidated TIR Carnets.

Appendix

Model Reconciliation Form (MRF)							
<i>To be filled-in by the initiator of the request for reconciliation</i>							
Destination:							
Regional Customs office (optional): Name: Customs office of destination: Name:							
Received on: Received on:							
Date: Stamp Date: Stamp							
Data to be confirmed Data source: <input type="checkbox"/> TIR Carnet <input type="checkbox"/> Control system data							
TIR Carnet Reference Number	Name or number of Customs office of destination*	Reference number indicated in the certificate of termination of the TIR operation (boxes 24-28 of voucher No. 2) at the Customs office of destination*	Date indicated in the certificate of termination of the TIR operation at the Customs office of destination*	Page number	Partial / final termination	Termination of the TIR operation certified with or without reservation at the Customs office of destination	Number of packages (optional)
Attachments: <input type="checkbox"/> Copy of TIR Carnet counterfoils Other: _____							
<i>Response from Customs office of destination</i>							
<input type="checkbox"/> Confirmation <input type="checkbox"/> Correction (please insert the corrections below) <input type="checkbox"/> No reference found on the termination of the TIR operation							
TIR Carnet Reference Number	Name or number of Customs office of destination*	Reference number indicated in the certificate of termination of the TIR operation (boxes 24-28 of voucher No. 2) at the Customs office of destination*	Date indicated in the certificate of termination of the TIR operation at the Customs office of destination*	Page number	Partial / final termination	Termination of the TIR operation certified with or without reservation at the Customs office of destination	Number of packages (optional)
Comments:							
Date: Stamp and signature of Customs office of destination:							
<i>Central Customs office (optional)</i>							
Comments:							
Date: Stamp and/or signature							

*Please note that these data refer to the Customs office of Destination where the TIR movement terminated."

Amendment 28

(Amendments which were adopted pursuant to Article 59 of the Convention and which entered into force on 1 January 2009)

AMENDMENT PROPOSAL TO THE TIR CONVENTION, 1975

adopted by the Administrative Committee for the TIR Convention on 31 January
2008

Annex 8, Article 13, paragraph 1

Replace the existing text by

1. The operation of the TIR Executive Board and the TIR secretariat shall be financed, until such time as alternative sources of funding are obtained, through an amount per TIR Carnet distributed by the international organization as referred to in Article 6. This amount shall be approved by the Administrative Committee.

Annex 8, Article 13, paragraph 2

Replace the existing text by

2. The procedure to implement the financing of the operation of the TIR Executive Board and the TIR secretariat shall be approved by the Administrative Committee.

Amendment 29

(Amendments which were adopted pursuant to Article 60 of the Convention and which entered into force on 1 January 2012)

Amendment proposal to the TIR convention, 1975

adopted by the
Administrative Committee for the TIR Convention
on 3 February 2011

Annex 9, Part I, title

At the end of the title insert AND TO ACT AS GUARANTOR

Annex 9, Part I, subtitle

At the beginning of the subtitle delete Minimum

Annex 9, Part I, paragraph 1, first line

After The delete minimum

Annex 9, Part I, paragraph 1 (a)

For established association representing the interests of the transport sector read association established in the Contracting Party where the authorization is issued

Annex 9, Part I, paragraph 1 (b)

For it read the association

Annex 9, Part I, paragraph 1 (c)

Delete paragraph

Annex 9, Part I, paragraphs 1 (d), (e)

Renumber paragraph 1 (d) and (e) to become paragraph 1 (c) and (d)

Annex 9, Part I, new paragraph 1 (d)

For the existing text read

(d) Establishment of a written agreement or any other legal instrument between the association and the competent authorities of the Contracting Party in which it is established including the acceptance by the association of its duties as set out in paragraph 3.

Annex 9, Part I, new paragraph 1 (d)

After new paragraph 1 (d) insert a new paragraph 2 to read

2. A certified copy of the written agreement or any other legal instrument referred to under paragraph 1 (d) together, if necessary, with a certified translation into English, French or Russian, shall be deposited with the TIR Executive Board. Any changes shall be immediately brought to the attention of the TIR Executive Board.

Annex 9, Part I, paragraph 1 (f)

Replace the existing text of paragraph 1 (f) *by* new paragraphs 3 and 4 to *read*

3. The duties of the association are to:

- (i) comply with the obligations laid down in Article 8 of the Convention;
- (ii) accept the maximum sum per TIR Carnet determined by the Contracting Parties which may be claimed from the association in accordance with Article 8, paragraph 3 of the Convention;
- (iii) verify continuously and, in particular, before requesting authorization for access of persons to the TIR procedure, the fulfilment of the minimum conditions and requirements as laid down in Part II of this Annex;
- (iv) provide its guarantees for all liabilities incurred in the country in which it is established in connection with operations under cover of TIR Carnets issued by itself and by foreign associations affiliated to the same international organization as that to which it is itself affiliated;
- (v) cover its liabilities to the satisfaction of the competent authorities of the Contracting Party in which it is established with an insurance company, pool of insurers or financial institution. The insurance or financial guarantee contract(s) shall cover the totality of its liabilities in connection with operations under cover of TIR Carnets issued by itself and by foreign associations affiliated to the same international organization as that to which it is itself affiliated;

The time to give notice for the termination of the insurance or financial guarantee contract(s) shall be not less than the time to give notice for the termination of the written agreement or any other legal instrument as referred to in paragraph 1 (d). A certified copy of the insurance or financial contract(s) as well as all subsequent modifications thereto shall be deposited with the TIR Executive Board, including a certified translation, if necessary, into English, French or Russian;

(vi) provide the TIR Executive Board, annually, as per 1 March, with the price of each type of TIR Carnets it issues;

(vii) allow the competent authorities to verify all records and accounts kept relating to the administration of the TIR procedure;

(viii) accept a procedure for settling efficiently disputes arising from the improper or fraudulent use of TIR Carnets, whenever possible without recourse to courts;

(ix) comply strictly with the decisions of the competent authorities of the Contracting Party in which it is established concerning the revocation or withdrawal of the authorization in line with Article 6 of the Convention and Part II of this Annex or the exclusion of persons in line with Article 38 of the Convention;

(x) agree to implement faithfully all decisions adopted by the Administrative Committee and the TIR Executive Board in as much as the competent authorities of the Contracting Party in which the association is established have accepted them.

4. When a guaranteeing association is asked, in accordance with the procedure set out in Article 11, to pay the sums referred to in Article 8, paragraphs 1 and 2, it shall, in accordance with the written agreement referred to in Explanatory Note 0.6.2bis-1 to Article 6, paragraph 2 bis, inform the international organization of the reception of the claim.

Annex 9, Part I, paragraphs 2, 3 and 4

Renumber the existing paragraphs 2, 3 and 4 to become paragraphs 5, 6 and 7

Annex 9, Part I, new paragraph 5

For the existing text read

5. The Contracting Party in which the association is established shall revoke the authorization to issue TIR Carnets and to act as guarantor in case of non-compliance with these conditions and requirements. Should a Contracting Party decide to revoke the authorization, the decision shall become effective at the earliest three (3) months after the date of revocation.

Annex 9, Part I, new paragraph 6

For Authorization read The authorization

Annex 9, Part I, new paragraph 7

After The delete minimum

Amendment 30

(Amendments which were adopted pursuant to Articles 59 and 60 of the Convention and which entered into force on 13 September 2012)

Amendment proposal to the TIR convention, 1975

adopted by the
Administrative Committee for the TIR Convention
on 3 February 2011

Article 1 (q), line 1

For approved read authorized

Article 1 (q)

After Article 1 (q) insert a new paragraph (r) to read:

(r) the term "international organization" shall mean an organization authorized by the Administrative Committee to take on responsibility for the effective organization and functioning of an international guarantee system.

Article 8, paragraph 1

Modify paragraph 1 to read:

1. The guaranteeing association shall undertake to pay up to the maximum of the guaranteed amount of the import and export duties and taxes together with any default interest due under the Customs laws and regulations of the Contracting Party in which an irregularity leading up to a claim against the guaranteeing association has been established in connection with a TIR operation. It shall be liable, jointly and severally with the persons from whom the sums mentioned above are due, for payment of such sums.

Article 8, paragraph 7

Delete the text of paragraph 7

Article 10, paragraph 2, line 1

For country read Contracting Party

Article 11, paragraph 1

Modify paragraph 1 to read:

1. Where a TIR operation has not been discharged, the competent authorities shall:

(a) notify the TIR Carnet holder at his address indicated in the TIR Carnet of the non-discharge;

(b) notify the guaranteeing association of the non-discharge.

The competent authorities shall notify the guaranteeing association with a maximum period of one year from the date of acceptance of the TIR Carnet by those authorities or two years when the certificate of termination of the TIR operation was falsified or obtained in an improper or fraudulent manner.

Article 11, paragraph 1

After paragraph 1 insert a new paragraph 2 to read:

2. Where the payment of the sums mentioned in Article 8, paragraphs 1 and 2 becomes due, the competent authorities shall, so far as possible, require payment from the person or persons liable for such payment before making a claim against the guaranteeing association.

Article 11, paragraph 2

Renumber paragraphs 2 and 3 to become paragraphs 3 and 4.

Article 11, new paragraph 3

Modify paragraph 3 to read:

3. The claim for payment of the sums referred to in Article 8, paragraphs 1 and 2 shall be made against the guaranteeing association at the earliest three months after the date on which the association was notified that the operation had not been discharged or that the certificate of termination of the TIR operation had been falsified or obtained in an improper or fraudulent manner and not more than two years after that date. However, in cases of TIR operations which, during the above-mentioned period of two years, become the subject of administrative or legal proceedings concerning the payment obligation of the person or persons referred to in paragraph 2 of this Article, any claim for payment shall be made within one year of the date on which the decision of the competent authorities or courts becomes enforceable.

Article 11, new paragraph 4

For the existing text read:

4. The guaranteeing association shall pay the amounts claimed within a period of three months from the date when a claim for payment is made against it.

5. The sums paid shall be reimbursed to the guaranteeing association if, within a two year period following the date on which the claim for payment was made against it, it has been established to the satisfaction of the competent authorities that no irregularity was committed in connection with the TIR operation in question. The two year time limit may be extended in accordance with national legislation.

Amendment 31

(Amendments which were adopted pursuant to Articles 59 and 60 of the Convention and which entered into force on 10 October 2013)

Amendment proposal to the TIR convention, 1975

adopted by the
Administrative Committee for the TIR Convention
on 9 February 2012

Article 6, paragraph 2 bis

Modify paragraph 2 bis to read:

2 bis. An international organization shall be authorized by the Administrative Committee to take on responsibility for the effective organization and functioning of an international guarantee system. The authorization shall be granted as long as the organization fulfils the conditions and requirements laid down in Annex 9, Part III. The Administrative Committee may revoke the authorization if these conditions and requirements are no longer fulfilled.

Annex 9, new part III

Insert a new part III to read:

Authorization of an international organization, as referred to in Article 6, to take on the responsibility for the effective organization and functioning of an international guarantee system and to print and distribute TIR Carnets

Conditions and requirements

1. The conditions and requirements to be complied with by an international organization in order to be authorized, in accordance with Article 6.2 bis of the Convention, by the Administrative Committee to take on the responsibility for the effective organization and functioning of an international guarantee system and to print and distribute TIR Carnets are:

(a) Proof of sound professional competence and financial standing for the effective organization and functioning of an international guarantee system and the organizational capabilities to fulfil its obligations under the Convention by means of annual submissions of consolidated financial statements duly audited by internationally recognized independent auditors;

(b) Absence of serious or repeated offences against Customs or tax legislation.

2. Pursuant to the authorization, the international organization shall:

(a) provide the Contracting Parties of the TIR Convention via the national associations affiliated to the international organization with certified copies of the global guarantee contract and proof of guarantee coverage;

(b) provide the competent bodies of the TIR Convention with information on the rules and procedures set out for the issue of TIR Carnets by national associations;

(c) provide the competent bodies of the TIR Convention, on a yearly basis, with data on claims lodged, pending, paid or settled without payment;

(d) provide the competent bodies of the TIR Convention with full and complete information on the functioning of the TIR system, in particular, but not limited to, timely and well founded information on trends in the number of non-terminated TIR operations, claims lodged, pending, paid or settled without payment that might give rise to concerns with regard to the proper functioning of the TIR system or that could lead to difficulties for the continued operation of its international guarantee system;

(e) provide the competent bodies of the TIR Convention with statistical data on the number of TIR Carnets distributed to each Contracting Party, broken down by type;

(f) provide the TIR Executive Board with details of the distribution price by the international organization of each type of TIR Carnet;

(g) take all possible steps to reduce the risk of counterfeiting TIR Carnets;

(h) take the appropriate corrective action in cases where faults or deficiencies with the TIR Carnet have been detected and report these to the TIR Executive Board;

(j) fully participate in cases where the TIR Executive Board is called upon to facilitate the settlement of disputes;

(k) ensure that any problem involving fraudulent activities or other difficulties with regard to the application of the TIR Convention is immediately brought to the attention of the TIR Executive Board;

(l) manage the control system for TIR Carnets, provided for in Annex 10 of the Convention, together with national guaranteeing associations affiliated to the international organization and the Customs authorities and inform the Contracting Parties and the competent bodies of the Convention of problems encountered in the system;

(m) provide the competent bodies of the TIR Convention with statistics and data on the performance of Contracting Parties with regard to the control system provided for in Annex 10;

(n) conclude, not less than two months before the provisional date of entry into force or renewal of the authorization granted in accordance with Article 6.2 bis of the Convention, a written agreement with the United Nations Economic Commission for Europe secretariat, mandated by and acting on behalf of the Administrative Committee, which shall include the acceptance by the international organization of its duties set out in this paragraph.

3. When the international organization is informed by a guaranteeing association of a claim for payment, it shall, within a period of three (3) months inform the guaranteeing association of its position concerning the claim.

4. All information acquired, directly or indirectly, by the international organization under the Convention, which is by nature confidential or which is provided on a confidential basis, shall be covered by the obligation of professional secrecy and shall not be used or processed neither for any commercial purpose nor for any other purpose than for which it has been provided or disclosed to any third party without the express permission of the person or authority that provided it. Such information may, however, be disclosed without permission to competent authorities of Contracting Parties to this Convention, where there is an authorization or obligation to do so pursuant to provisions of national or international law or in connection with legal proceedings. The disclosure or communication of information shall take place in full compliance with data-protection provisions in force.

5. The Administrative Committee shall have the right to revoke the authorization granted in accordance with Article 6.2bis in case of non-compliance with the above conditions and requirements. Should the Administrative Committee decide to revoke the authorization, the decision will become effective at the earliest six (6) months after the date of revocation.

6. The authorization of an international organization under the terms set out above shall be without prejudice to that organization's responsibilities and liabilities under the Convention.

Amendment 32

(Amendments which were adopted pursuant to Article 60 of the Convention and which entered into force on 1 January 2015)

Amendment proposal to the TIR convention, 1975

adopted by the
Administrative Committee for the TIR Convention
on 6 February 2014 and 12 June 2014

Annex 1, page 11, point (5)

For HS code: 24.03.10 read HS code: 24.03.11 and 24.03.19

Annex 9, Part I, paragraph 3 (vi)

For the existing text read

(vi) provide the TIR Executive Board, annually, before 1 March with the price of each type of TIR Carnet it issues;

Amendment 33

(Amendments which were adopted pursuant to Article 60 of the Convention and which entered into force on 1 January 2017)

Amendment proposal to the TIR convention, 1975

adopted by the
Administrative Committee for the TIR Convention
on 10-11 February 2016

Annex 2, Article 4, paragraph 2, (i)

For the existing text substitute

(i) The sliding sheets, floor, doors and all other constituent parts of the load compartment shall be assembled either by means of devices which cannot be removed and replaced from the outside without leaving obvious traces, or by such methods as will produce a structure which cannot be modified without leaving obvious traces.

Annex 2, Article 4, paragraph 2, (iii)

For the existing text substitute

(iii) The sliding sheet guidance, sliding sheet tension devices and other movable parts shall be assembled in such a way that when closed, and Customs sealed, doors and other movable parts cannot be opened or closed from the outside without leaving obvious traces. The sliding sheet guidance, sliding sheet tension devices and other movable parts shall be assembled in such a way that it is impossible to gain access to the load compartment without leaving obvious traces once the closing devices have been secured. An example of such a system of construction is given in sketch No. 9 appended to these Regulations.

Annex 2, new Article 5

After the modified Article 4 insert

Article 5

Vehicles with a sheeted sliding roof

1. Where applicable, the provisions of Articles 1, 2, 3 and 4 of these Regulations shall apply to vehicles with a sheeted sliding roof. In addition, these vehicles shall conform to the provisions of this Article.

2. The sheeted sliding roof shall fulfil the requirements set out in (i) to (iii) below.

(i) The sheeted sliding roof shall be assembled either by means of devices which cannot be removed and replaced from the outside without leaving obvious traces, or by such methods as will produce a structure which cannot be modified without leaving obvious traces.

(ii) The sliding roof sheet shall overlap with the solid part of the roof at the front side of the load compartment, so that the roof sheet cannot be pulled over the top edge of the upper cantrail. In the length of the load compartment, at both sides, in the hem of the roof sheet, a pre-stressed steel cable shall be inserted in

such a way that it cannot be removed and re-inserted without leaving obvious traces. The roof sheet shall be secured to the sliding carriage in such a way that it cannot be removed and re-secured without leaving obvious traces.

(iii) The sliding roof guidance, the sliding roof tension devices and other movable parts shall be assembled in such a way that when closed, and Customs sealed, doors, roof and other movable parts cannot be opened or closed from the outside without leaving obvious traces. The sliding roof guidance, sliding roof tension devices and other movable parts shall be assembled in such a way that it is impossible to gain access to the load compartment without leaving obvious traces once the closing devices have been secured.

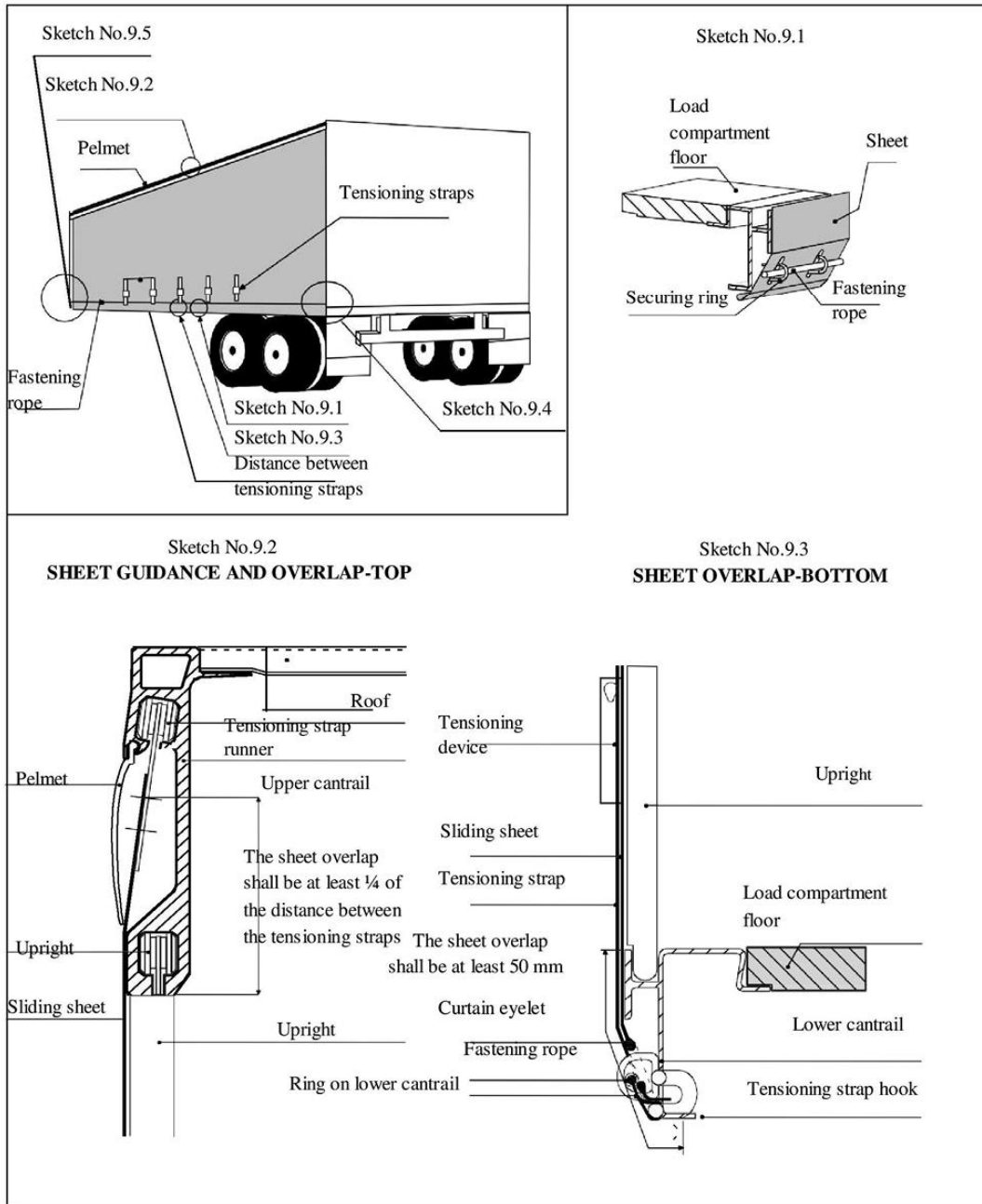
An example of a possible system of construction is shown in sketch No.10, appended to these Regulations.

Annex 2, Sketch No. 9

For the existing Sketch No. 9 *substitute*

Sketch No. 9

EXAMPLE OF A CONSTRUCTION OF A VEHICLE WITH SLIDING SHEETS

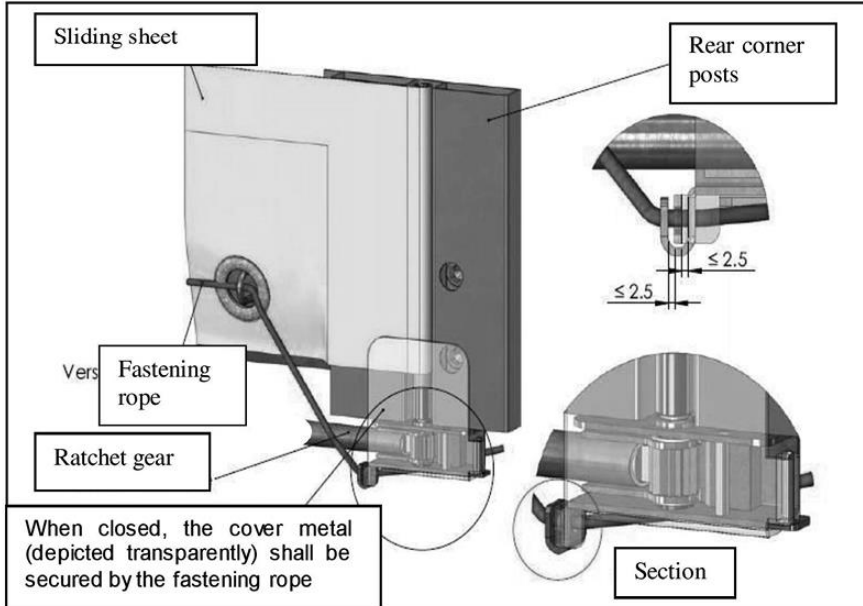


Sketch No. 9 continued

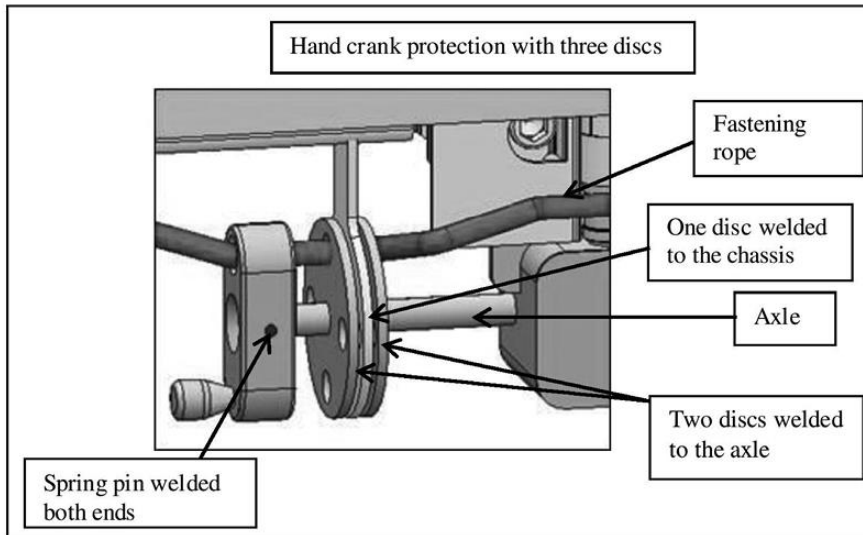
Sketch No. 9.4

To tighten the sliding sheets in the horizontal direction, a ratchet gear is used (normally at the rear end of the vehicle). This sketch shows two examples, (a) and (b), of how the ratchet or gearbox may be secured.

(a) Ratchet securing



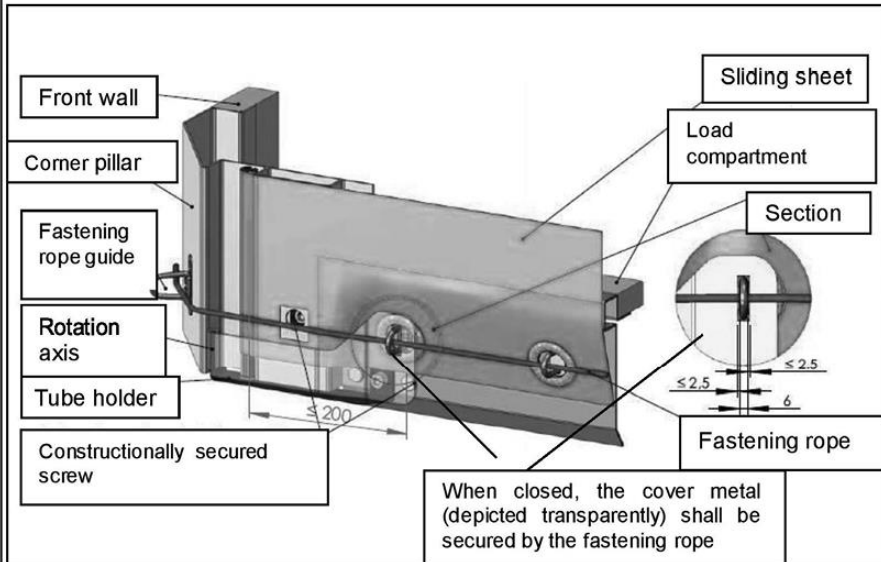
(b) Gearbox securing



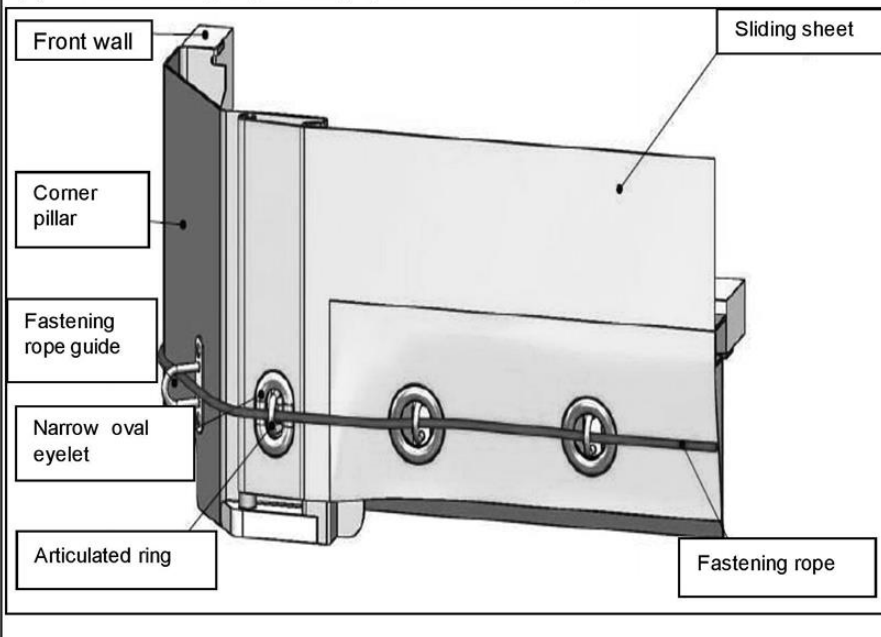
Sketch No. 9.5

To fix the sliding sheet on the other side (normally the front of the vehicle), the following systems, (a) or (b), may be used.

(a) Cover metal



(b) Narrow oval eyelet, anti-lifting system for the tensioning tube



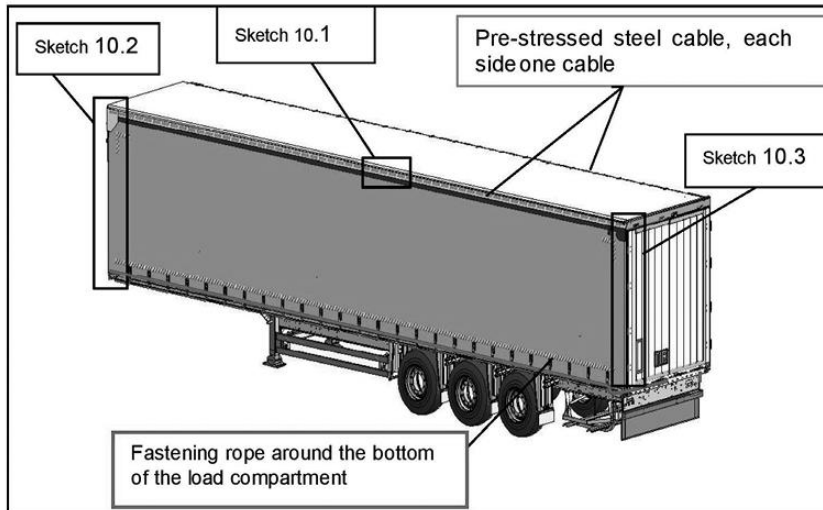
Annex 2, new Sketch No. 10

After new Sketch No. 9 insert

Sketch No. 10

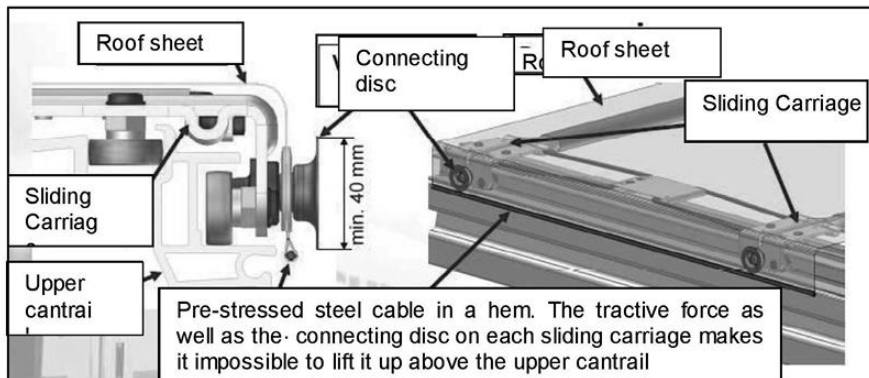
EXAMPLE OF A CONSTRUCTION OF A VEHICLE WITH A SHEETED SLIDING ROOF

This sketch shows an example of a vehicle and the important requirements described in Article 5 of these Regulations.



Sketch No. 10.1

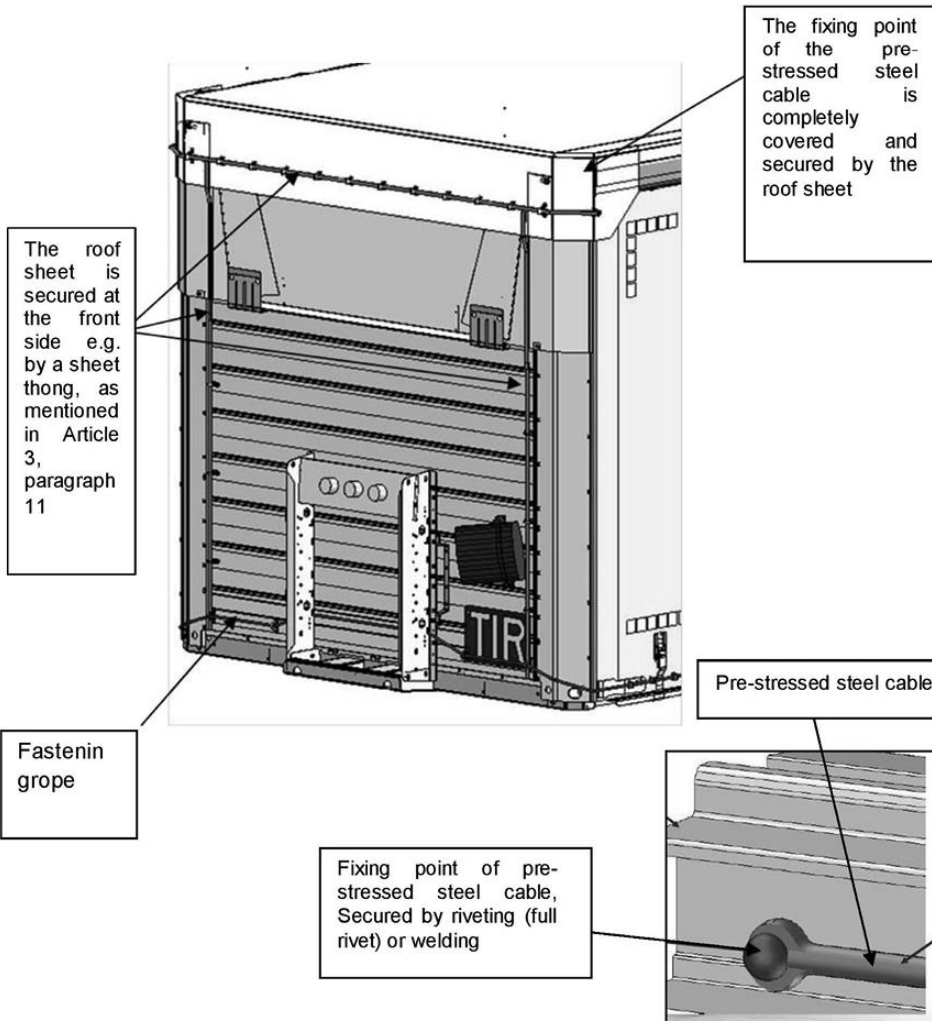
Two pre-stressed steel cables, embedded in a hem, are fixed on each side of the load compartment. This pre-stressed steel cable is fixed to the front (see sketch 10.2) and rear of the body (see sketch 10.3). The tractive force as well as the connecting disc on each sliding carriage makes it impossible to lift up the hem with the pre-stressed steel cable above the upper cantrail.



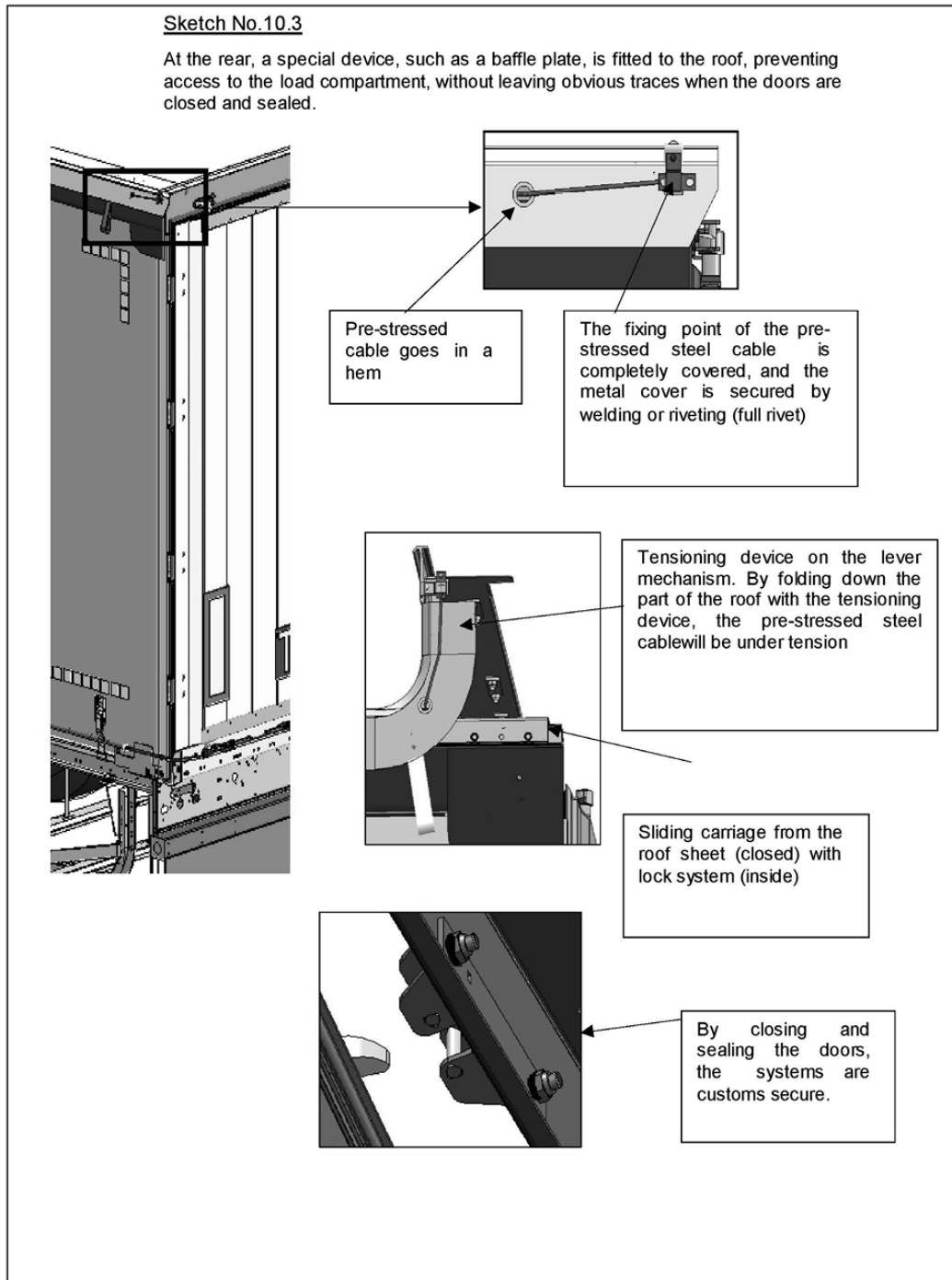
Sketch No. 10 continued

Sketch No.10.2

The sliding roof sheet shall overlap with the solid part of the roof at the front side of the load compartment, so that the roof sheet cannot be pulled over the top edge of the upper cantrail.



Sketch No. 10 continued



Annex 7, Part I, Article 5, paragraph 2, (i)

For the existing text substitute

(i) The sliding sheets, floor, doors and all other constituent parts of the container shall be assembled either by means of devices which cannot be removed and replaced from the outside without leaving obvious traces, or by such methods as

will produce a structure which cannot be modified without leaving obvious traces.

Annex 7, Part I, Article 5, paragraph 2,

(iii) For the existing text substitute (iii) The sliding sheet guidance, sliding sheet tension devices and other movable parts shall be assembled in such a way that when closed, and Customs sealed, doors and other movable parts cannot be opened or closed from the outside without leaving obvious traces. The sliding sheet guidance, sliding sheet tension devices and other movable parts shall be assembled in such a way that it is impossible to gain access to the container without leaving obvious traces once the closing devices has been secured. An example of such a system of construction is given in sketch No. 9 appended to these Regulations.”

Annex 7, Part I, new Article 6

After the modified Article 5 insert

Article 6

Containers with a sheeted sliding roof

1. Where applicable, the provisions of Articles 1, 2, 3, 4 and 5 of these Regulations shall apply to containers with a sheeted sliding roof. In addition, these containers shall conform to the provisions of this Article.

2. The sheeted sliding roof shall fulfil the requirements set out in (i) to (iii) below.

(i) The sheeted sliding roof shall be assembled either by means of devices which cannot be removed and replaced from the outside without leaving obvious traces, or by such methods as will produce a structure which cannot be modified without leaving obvious traces.

(ii) The sliding roof sheet shall overlap with the solid part of the roof at the front side of the container, so that the roof sheet cannot be pulled over the top edge of the upper cantrail. In the length of the container, at both sides, in the hem of the roof sheet, a pre-stressed steel cable shall be inserted in such a way that it cannot be removed and re-inserted without leaving obvious traces. The roof sheet shall be secured to the sliding carriage in such a way that it cannot be removed and resecured without leaving obvious traces.

(iii) The sliding roof guidance, the sliding roof tension devices and other movable parts shall be assembled in such a way that when closed, and Customs sealed, doors, roof and other movable parts cannot be opened or closed from the outside without leaving obvious traces. The sliding roof guidance, sliding roof tension devices and other movable parts shall be assembled in such a way that it is impossible to gain access to the container without leaving obvious traces once the closing devices have been secured.

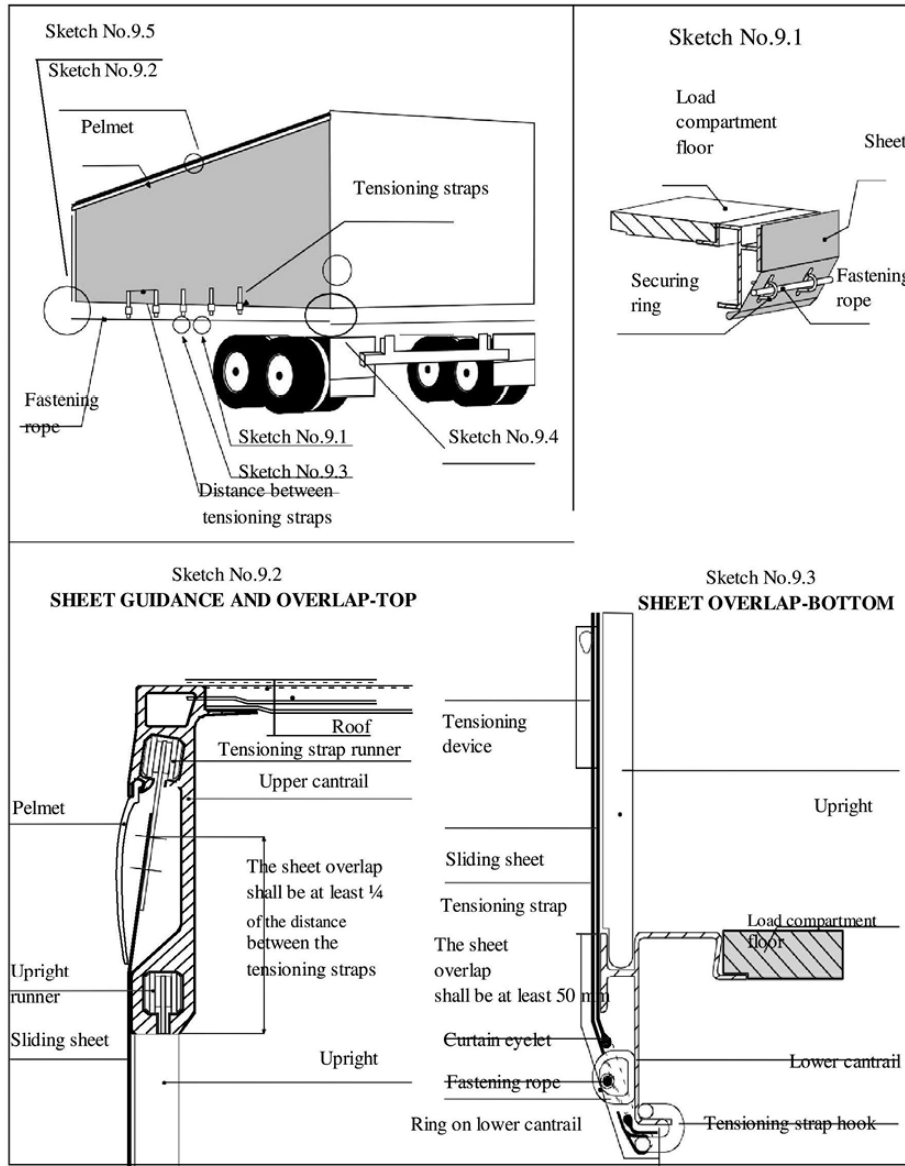
An example of a possible system of construction is shown in sketch No. 10, appended to these Regulations.

Annex 7, Part I, Sketch No. 9

For the existing Sketch No. 9 substitute

Sketch No. 9

EXAMPLE OF A CONSTRUCTION OF A CONTAINER WITH SLIDING SHEETS

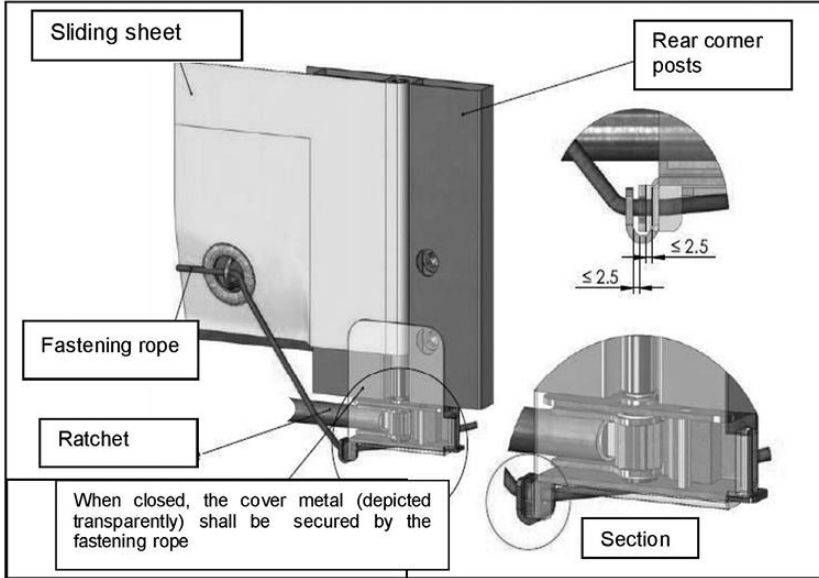


Sketch No. 9 continued

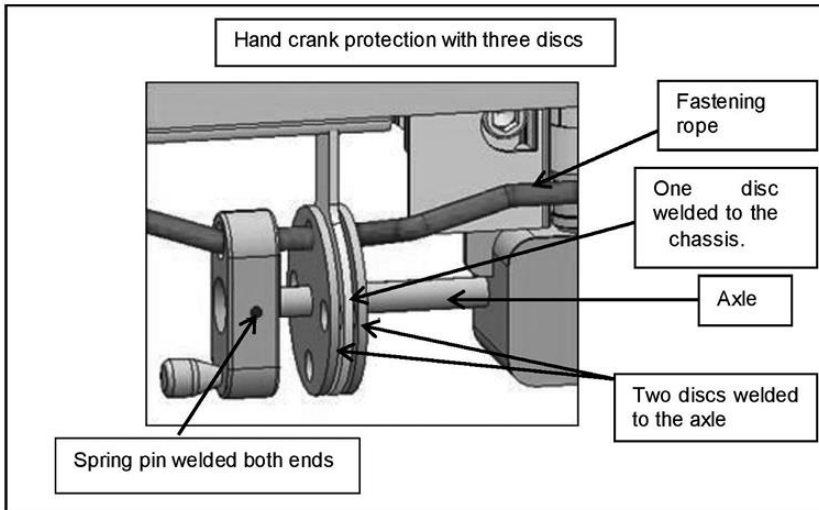
Sketch No. 9.4

To tighten the sliding sheets in the horizontal direction, a ratchet gear is used (normally at the rear end of the container). This sketch shows two examples, (a) and (b), of how the ratchet or gearbox may be secured.

(a) Ratchet securing



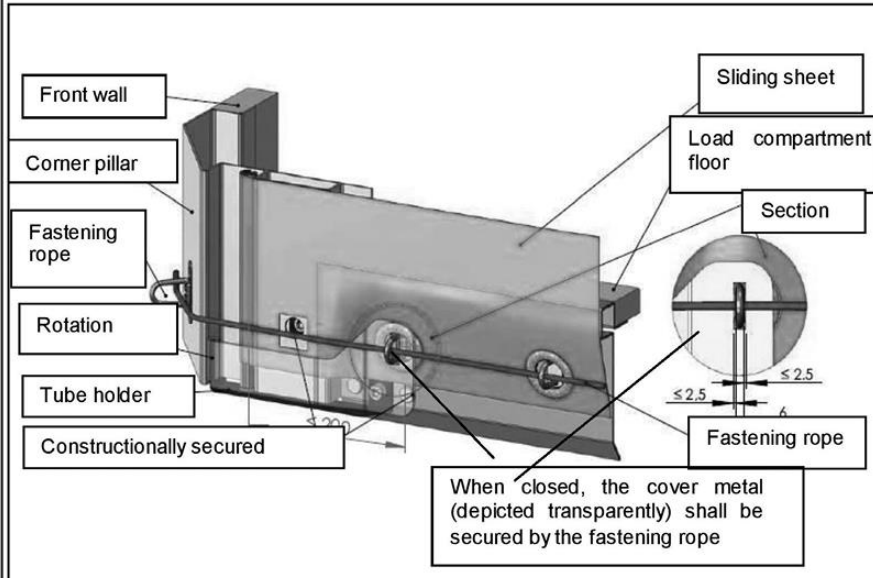
(b) Gearbox securing



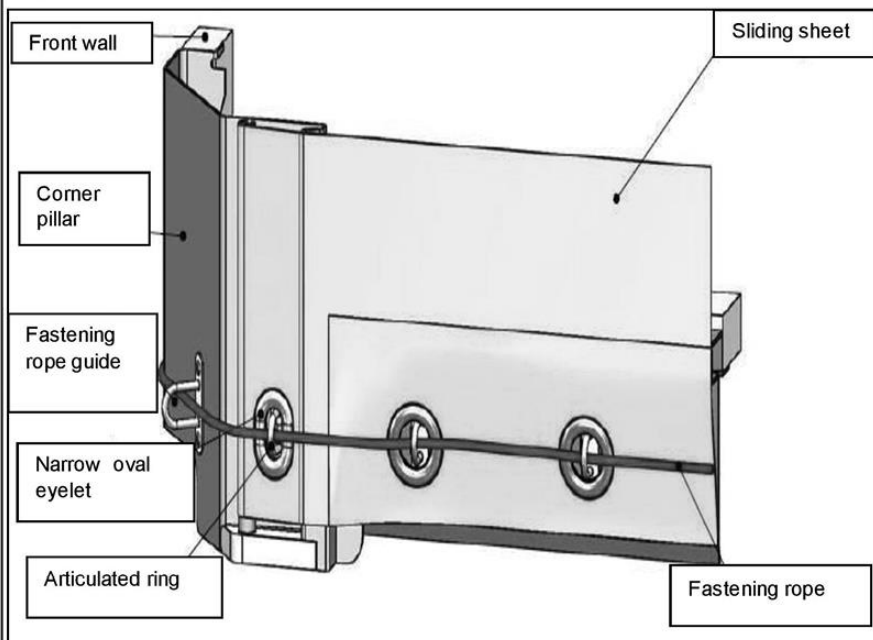
Sketch No. 9.5

To fix the sliding sheet on the other side (normally the front of the container), the following systems, (a) or (b), may be used.

(a) Cover metal



(b) Narrow oval eyelet, anti-lifting system for the tensioning tube



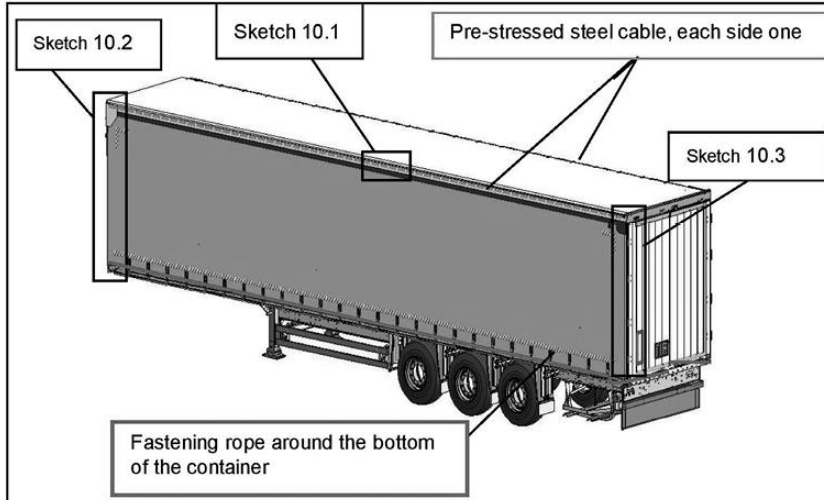
Annex 7, Part I, new Sketch No. 10

After new Sketch No. 9 insert

Sketch No. 10

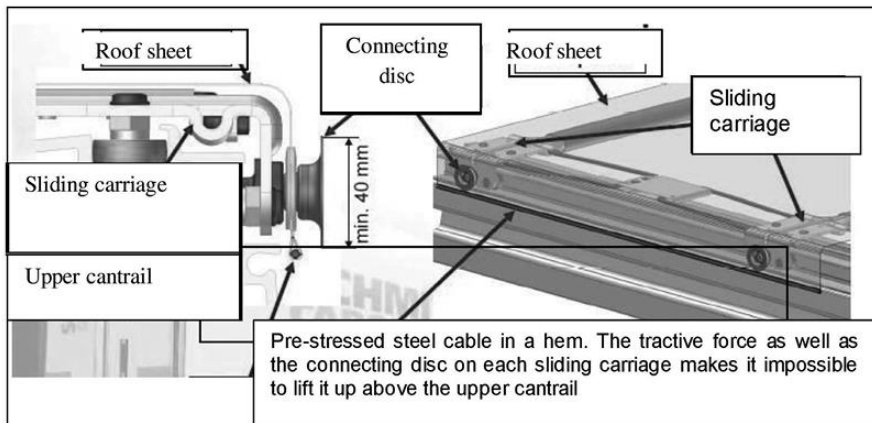
EXAMPLE OF A CONSTRUCTION OF A CONTAINER WITH A SHEETED SLIDING ROOF

This sketch shows an example of a container and the important requirements described in Article 6 of these Regulations.



Sketch No. 10.1

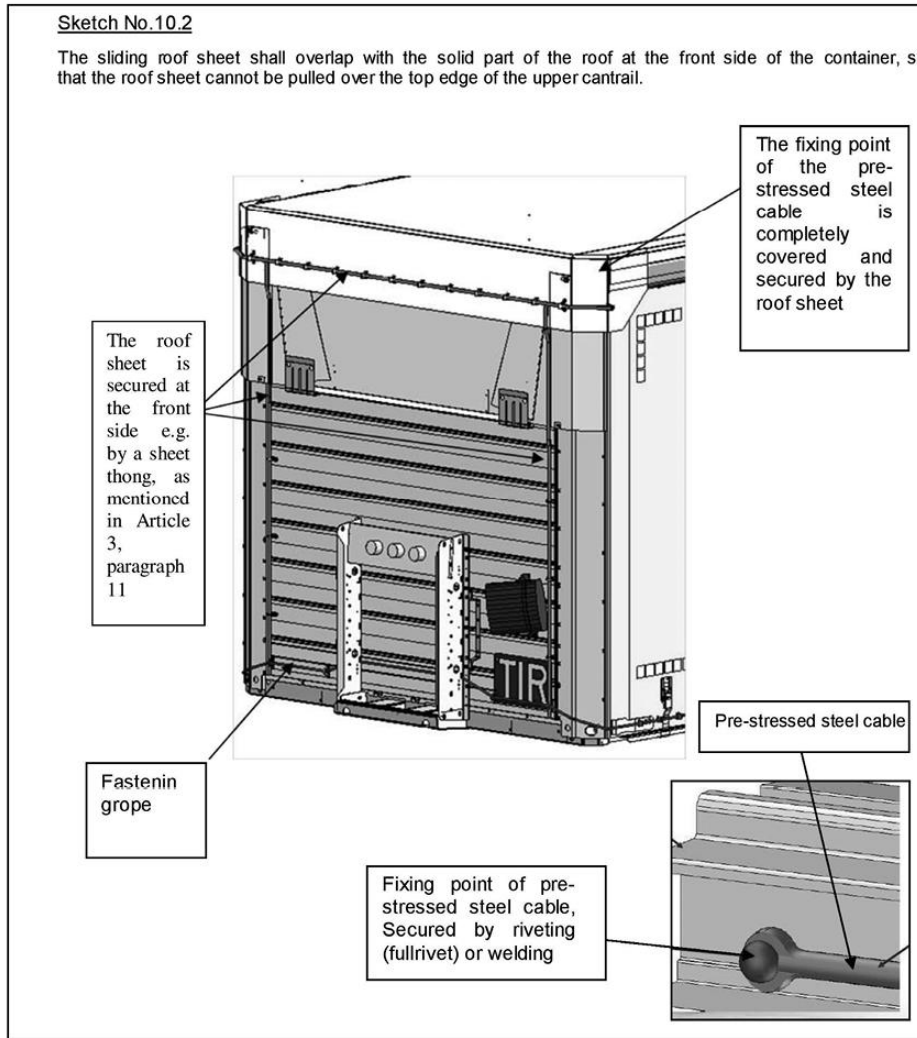
Two pre-stressed steel cables, embedded in a hem, are fixed on each side of the container. This pre-stressed steel cable is fixed to the front (see sketch 10.2) and rear of the body (see sketch 10.3). The tractive force as well as the connecting disc on each sliding carriage makes it impossible to lift up the hem with the pre-stressed steel cable above the upper cantrail.



Sketch No. 10 continued

Sketch No.10.2

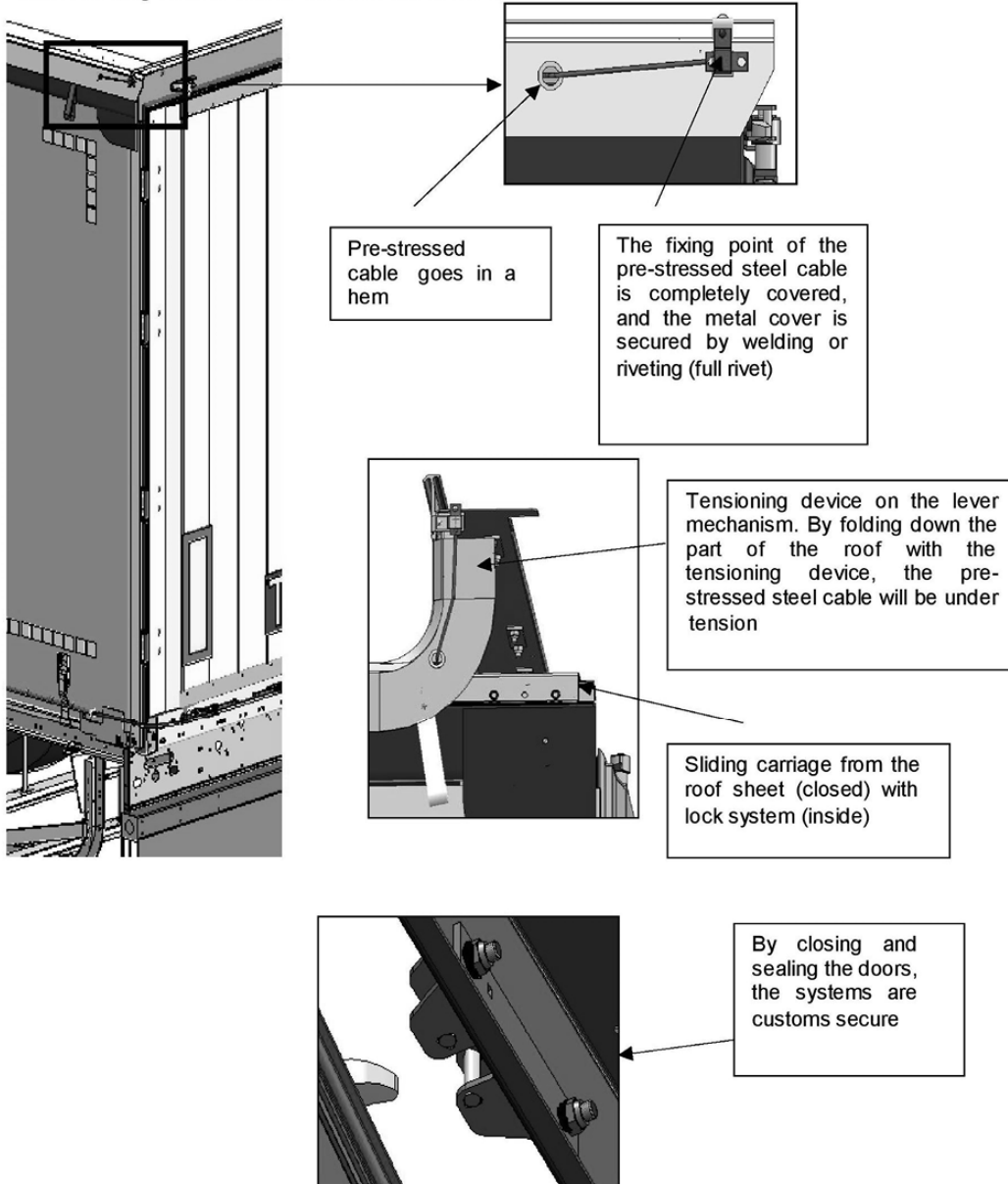
The sliding roof sheet shall overlap with the solid part of the roof at the front side of the container, so that the roof sheet cannot be pulled over the top edge of the upper cantrail.



Sketch No. 10 continued

Sketch No.10.3

At the rear, a special device, such as a baffle plate, is fitted to the roof, preventing access to the container, without leaving obvious traces when the doors are closed and sealed.



Amendment 34

(Amendments which were adopted pursuant to Article 60 of the Convention and which entered into force on 1 July 2018)

Amendment proposal to the TIR convention, 1975

adopted by the
Administrative Committee for the TIR Convention
on 12 October 2017

Annex 8, Article 1 bis

After the existing text insert new paragraphs 4, 5 and 6 to read

4. The Committee shall receive and examine the annual audited financial statements and audit report(s) submitted by the international organization pursuant to the obligations under Annex 9, Part III. In the course and within the scope of its examination, the Committee may request that additional information, clarifications or documents be provided by the international organization or the independent external auditor.

5. Without prejudice to the examination mentioned in paragraph 4, the Committee shall, on the basis of a risk assessment, have the right to request additional examinations to be carried out. The Committee shall mandate the TIR Executive Board or request the competent United Nations services to carry out the risk assessment.

The scope of additional examinations shall be determined by the Committee, taking into account the risk assessment of the TIR Executive Board or of the competent United Nations services.

The results of all examinations referred to in this article shall be kept by the TIR Executive Board and provided to all Contracting Parties for due consideration.

6. The procedure for undertaking the additional examinations shall be approved by the Committee.

Annex 9, Part I, subtitle

Before conditions and requirements add Minimum

Annex 9, Part I, paragraph 1 (first line)

After The add minimum

Annex 9, Part I, paragraph 7

For Contracting Parties read that each Contracting Party

Annex 9, Part II, Procedure, Model Authorization Form, paragraph 1

For approved read authorized

Annex 9, Part III, paragraph 2

After subparagraph (n) insert new subparagraphs (o), (p) and (q) to read

(o) maintain separate records and accounts containing information and documentation which pertain to the organization and functioning of an international guarantee system and the printing and distribution of TIR Carnets;

(p) provide its full and timely cooperation, including, but not limited to, allowing access to the above records and accounts to the competent United Nations services or to any other duly authorized competent entity and, at all times, facilitating additional inspections and audits performed by them on behalf of Contracting Parties, pursuant to Annex 8, Article 1 bis, paragraphs 5 and 6;

(q) engage an independent external auditor to conduct annual audits of the records and accounts mentioned under subparagraph (o). The external audit shall be performed in accordance with International Standards on Auditing (ISA) and shall result in an annual audit report and a management letter which shall be submitted to the Administrative Committee.

Amendment 35

(Amendments which were adopted pursuant to Article 60 of the Convention and which entered into force on 3 February 2019)

Amendment proposal to the TIR convention, 1975

adopted by the
Administrative Committee for the TIR Convention
on 12 October 2017

Article 1, paragraph (q)

After customs authorities add or other competent authorities

Article 3, paragraph (b)

For approved read authorized

Article 6, paragraph 2

For approved read authorized

Article 11, paragraph 3

For three months read one month

Article 38, paragraph 1

For the existing text read

Each of the Contracting Parties shall have the right to exclude temporarily or permanently from the operation of this Convention any person guilty of a serious or repeated offence against the customs laws or regulations applicable to the international transport of goods. The conditions in which the offence against the customs laws or regulations is considered to be serious shall be decided by the Contracting Party.

Допуна 24

(Допуна која је усвојена у складу са чланом 59.
Конвенције и која је ступила на снагу 19. септембра 2004.)

ПРЕДЛОГ ДОПУНЕ TIR КОНВЕНЦИЈЕ из 1975. године

Усвојен од стране
Административног комитета за Конвенцију TIR из 1975. године
26. октобар 2001. године

У члану 26, став 1:

на крају става додаје се:

„Ако су царинска обележја оштећена, царински органи могу прихватити исправу за МДП (карнет TIR) ради поновног започињања посла МДП у складу са одредбама члана 25.“

Измене 25

(Измене које су усвојене у складу са чланом 59.
Конвенције и које су ступиле на снагу 1. октобра 2005.)

ПРЕДЛОГ ИЗМЕНА TIR КОНВЕНЦИЈЕ, 1975

усвојен од стране
Административног комитета за TIR Конвенцију из 1975
15. октобра 2003.

Прилог 2, члан 3, став 9, тачка 1. и 2, мењају се и гласе:

„9. Могу се користити следећа средства за причвршћивање;

(а) ужад од челичне жице пречника од најмање 3 mm; или

(б) ужад од конопље или сисала пречника од најмање 8 mm упакована у провидан омот од нерастегљиве пластике; или

(ц) ужад која се састоје од низова фибер оптичких линија унутар спирално увијеног челичног омотача упакована у провидан омот од нерастегљиве пластике; или

(д) ужад која се састоје од текстилних конопаца обмотаних уз најмање четири струка који се састоје искључиво од челичне жице и који потпуно покривају средину, под условом да ужад (не узимајући у обзир провидан омот, уколико постоји) немају пречник мањи од 3 mm.

Ужад у складу са ставом 9 (а) или (д) овог члана могу имати провидан омот од нерастегљиве пластике.“

Прилог 2, члан 3, став 10, мења се и гласи:

„10. Свака врста ужади биће у једном комаду и имаће комад од чврстог метала на оба краја. Кроз сваки метални део на крају биће могуће провући конач или траку за царински жиг. Копча сваког металног дела на ужадима у складу са одредбама става 9 (а), (б) и (д) овог члана укључиваће шупљу нитну која је провучена кроз уже да би омогућила провлачење нити или траке за царински жиг. Уже ће остати видљиво на обе стране шупље нитне

тако да је могуће обезбедити да уже буде у једном комаду (видите цртеж број 5 у додатку ових прописа)."

Прилог 7, Део I, члан 4. став 9, тачке 1. и 2, мењају се и гласе:

„9. Могу се користити следећа средства за причвршћивање;

(а) ужад од челичне жице пречника од најмање 3 mm; или

(б) ужад од конопље или сисала пречника од најмање 8 mm упакована у провидан омот од нерастегљиве пластике; или

(ц) ужад која се састоје од низова фибер оптичких линија унутар спирално увијеног челичног омотача упакована у провидан омот од нерастегљиве пластике; или

(д) ужад која се састоје од текстилних конопаца обмотаних уз најмање четири струка који се састоје искључиво од челичне жице и који потпуно покривају средину, под условом да ужад (не узимајући у обзир провидан омот, уколико постоји) немају пречник мањи од 3 mm.

Ужад у складу са ставом 9 (а) или (д) овог члана могу имати провидан омот од нерастегљиве пластике."

Прилог 7, Део I, члан 4. став 10, мења се гласи:

„10. Свака врста ужади биће у једном комаду и имаће комад од чврстог метала на оба краја. Кроз сваки метални део на крају биће могуће провући конач или траку за царински жиг. Копча сваког металног дела на ужадима у складу са одредбама става 9 (а), (б) и (д) овог члана укључиваће шупљу нитну која је провучена кроз уже да би омогућила провлачење нити или траке за царински жиг. Уже ће остати видљиво на обе стране шупље нитне тако да је могуће обезбедити да уже буде у једном комаду (видите цртеж број 5 у додатку ових прописа)."

Измене 26

(Измене које су усвојене у складу са чланом 59.
Конвенције и које су ступиле на снагу 1. априла 2006. године)

ПРЕДЛОГ ИЗМЕНА TIR КОНВЕНЦИЈЕ, 1975

усвојен од стране
Административног комитета за TIR Конвенцију из 1975. године
3. фебруара 2005.

Прилог 1 Конвенције

Модел TIR карнета ВЕРЗИЈА 1 и ВЕРЗИЈА 2, мењају се и гласе:

– Страна 1 корица, рубрика 3 „(име, адреса и земља)” мења се и гласи:
„(идентификациони број, име, адреса и земља)”

– Купон (Voucher) бр. 1 и купон бр. 2, рубрика 4 „(име, адреса и земља)“ мења се и гласи: „(идентификациони број, име, адреса и земља)“

– Proces of verbal/Записник о налазу, рубрика 5 „држалац карнета“ мења се и гласи: „држалац карнета (идентификациони број, име, адреса и земља)“

Прилог 9 Конвенције, део II,

Образац одобрења (MAF), став 2, тачка 1, испод табеле, мења се и гласи:

„– појединачни и јединствени идентификациони (ID) број који је удружење гарант (у сарадњи са међународном организацијом у којој је учлањено) доделило том лицу у складу са усклађеним форматом. Формат ID броја одређује Административни комитет.“

Измене и допуна 27

(Измене и допуна које су усвојене у складу са чланом 59. Конвенције и које су ступиле на снагу 12. августа 2006.)

ПРЕДЛОГ ИЗМЕНА И ДОПУНЕ КОНВЕНЦИЈЕ TIR, 1975

усвојен од стране
Административног комитета за Конвенцију TIR
4. фебруар 2005.

Додаје се нови члан 42.тер који гласи:

„Члан 42.тер

Надлежни органи страна уговорница, достављаће овлашћеним удружењима, када је то могуће, податке које они захтевају да би испунили обавезу коју су преузели у складу са Прилогом 9 Део I став 3. (iii).

У Прилогу 10. наводе се подаци које треба доставити у посебним случајевима.“

Члан 60.

Мења се назив члана 60. као и тачка 1. и гласе:

„Члан 60.

Посебан поступак за измене и допуне Прилога 1, 2, 3, 4, 5, 6, 7, 8, 9 и 10

1. Свака предложена измена и допуна Прилога 1, 2, 3, 4, 5, 6, 7, 8, 9 и 10 која је разматрана у складу са чланом 59. тачке 1. и 2. ступиће на снагу на дан који утврди Административни комитет у време њеног усвајања, осим уколико до неког ранијег датума, који је истовремено одредио Административни комитет, једна петина или пет држава које су стране уговорнице, зависно који је број мањи, не обавести Генералног секретара Уједињених нација да имају приговор на ту измену и допуну. Одлучивање у Административном комитету у погледу датума о којима је реч у овој тачки вршиће се двотрећинском већином присутних који гласају.“

Додаје се нови Прилог 10 Конвенцији, који гласи:

„Прилог 10.

**ПОДАЦИ КОЈЕ СТРАНА УГОВОРНИЦА ТРЕБА ДА ДОСТАВИ
ОВЛАШЋЕНИМ УДРУЖЕЊИМА (СХОДНО ЧЛАНУ 42. ТЕР) И
МЕЂУНАРОДНОЈ ОРГАНИЗАЦИЈИ (САГЛАСНО ЧЛАНУ 6. ТАЧКА 2. БИС)**

У складу са чланом 6. став 1. и Прилогом 9 Део I став 3. (iii) ове конвенције од овлашћених удружења се захтева да прихвате обавезу да ће стално вршити контролу да ли лица, која имају одобрење да могу да приступе пословима TIR испуњавају минимум услова и захтева који су прописани у Прилогу 9 Делу II ове конвенције.

У име чланова а у циљу испуњавања својих обавеза као овлашћене међународне организације у складу са чланом 6. став 2 бис, међународна организација ће успоставити систем контроле чувања података о TIR карнетима, добијених од царинских органа и која су доступна удружењима и царинским администрацијама, о окончању TIR послова у одредишним царинарницама. Како би се удружењима омогућило да ефикасно испуне своје обавезе, стране уговорнице ће обезбедити податке контролном систему у складу са следећим поступком:

(1) Царински органи ће некој међународној организацији или домаћим удружењима гарантима, достављати, по могућству преко главног или регионалног уреда, најбржим расположивим средствима везе (факс, електронска пошта итд.), по могућности свакодневно, барем следеће податке, у стандардном формату, о свим исправама за TIR карнет, који су пријављени у одредишној царинарници, сходно дефиницији из члана 1 (л) Конвенције:

(а) број TIR карнета;

(б) датум и број уписа у царински контролник;

(ц) назив и број одредишне царинарнице;

(д) датум и број који је наведен у потврди о окончању TIR посла у одредишној царинарници (рубрике 24–28 купона 2) (уколико се тај податак разликује од податка под (б));

(е) делимично и коначно окончање;

(ф) окончање TIR послова у одредишној царинарници, уз резерву или без резерве, без обзира на одредбе чл. 8. и 11. Конвенције;

(г) други подаци и документа (није обавезно);

(х) број стране.

(2) Домаћа удружења или међународна организација могу да доставе царинским органима Узорак обрасца за савјивање података (MRF – Model Reconciliation Form) који се налази у прилогу:

(а) у случају да дође до неслагања између података који су достављени и података који су унети у талоне карнета TIR који се користи;

(б) у случају да нису достављени никакви подаци, а искоришћен TIR карнет је враћен домаћем удружењу.

(3) Царински органи и домаћа удружења гаранти ће закључити уговор у складу са националним прописима, којим се уређује напред наведена размена података.

(4) Међународна организација омогућиће царинским органима приступ датотекама које садрже податке о TIR карнетима који су окончани и датотекама које садрже податке о TIR карнетима, који су неважећи.

ДОДАТАК

Узорак обрасца за срањивање података (MRF)							
Попуњава лице које захтева срањивање података							
Одредиште:							
Регионална царинарница (опционо):				Одредишна царинарница:			
Назив:				Назив:			
Примљено:				Примљено:			
Датум:				Датум:			
Печат				Печат			
Подаци који требају да се потврде							
Извор података <input type="checkbox"/> Исправа за МДП (TIR Карнет) <input type="checkbox"/> Safe TIR подаци:							
Број исправе за МДП (карнета TIR)	Назив или шифра одредишне царинарнице*	Број који је наведен у потврди о окончању посла МПД у одредишној царинарници (руб. 24–28 купона број 2)*	Датум који је наведен у потврди о окончању посла МДП у одредишној царинарници*	Број стране	Делимично /коначно окончање	Окончање послова МДП у одредишној царинарници, уз резерву/без резерве	Број паковања (опционо)
Прилози:		Копија талона исправе за МДП (карнета TIR)				Друго: _____	
Одговор одредишне царинарнице							
<input type="checkbox"/> Потврда <input type="checkbox"/> Исправка (унесите исправке у доња поља) <input type="checkbox"/> Нема података о раздужењу исправе за МДП (TIR карнета)							
Број исправе за МДП (TIR Карнета)	Назив или шифра одредишне царинарнице*	Број који је наведен у потврди о окончању посла МПД у одредишној царинарници (руб. 24–28 купона број 2)*	Датум који је наведен у потврди о окончању посла МДП у одредишној царинарници*	Број стране	Делимично /коначно раздужење	Окончање послова МДП у одредишној царинарници, уз резерву/без резерве	Број паковања (опционо)
Коментари:							
Датум:				Печат и потпис одредишне царинарнице:			
Централа Управе царина (опционо)							
Коментари:							
Датум:				Печат и/или потпис			

* Ови подаци односе на одредишну царинарницу где је окончан посао МДП"

Измене 28

(Измене које су усвојене у складу са чланом 59. Конвенције и које су ступиле на снагу 1. јануара 2009.)

ПРЕДЛОГ ИЗМЕНА КОНВЕНЦИЈЕ TIR, 1975

усвојен од стране
Административног комитета за Конвенцију TIR
31. јануара 2008.

Прилог 8, члан 13, став 1, мења се и гласи:

„1. Рад Извршног одбора TIR-а и Секретаријата TIR-а финансираће се, док се не обезбеде алтернативни извори за финансирање, из средстава која су добијена наплатом накнаде за сваку исправу за МДП (карнет TIR), чију расподелу врши међународна организација наведену у члану 6. Овај износ ће бити одобрен од стране Административног комитета.“

Прилог 8, члан 13, став 2, мења се и гласи:

„2. Процедуру за спровођење финансирања рада Извршног одбора TIR-а и Секретаријата TIR-а одобрава Административни комитет.“

Измене и допуне 29

(Измене и допуне које су усвојене у складу са чланом 60.
Конвенције и које су ступиле на снагу 1. јануара 2012. године)

ПРЕДЛОГ ИЗМЕНА И ДОПУНА КОНВЕНЦИЈЕ TIR, 1975

усвојен од стране
Административног комитета за Конвенцију TIR
3. фебруара 2011. године

Прилог 9, Део I

На крају наслова после речи: (карнете TIR), додају се речи: „И ДА ДЕЛУЈУ
КАО ГАРАНТИ“.

Прилог 9 Део I у поднаслову

Брисати реч: „Минимум“.

Прилог 9 Део I у ставу 1.

Брисати реч: „Минимум“ испред речи: „услови“.

Прилог 9 Део I став 1. тачка (а)

Речи: „регистровано удружење које заступа интересе транспортног сектора“
заменају се речима: „удружење регистровано у уговорној страни где је
издато овлашћење“.

Прилог 9 Део I став 1. (б)

Реч: „it“ читати као удружење.

Прилог 9 Део I став 1. тачка (ц)

Брише се.

Прилог 9, Део I, став 1. тачке (д) и (е)

Постају тачке (ц) и (д).

Прилог 9 Део I став 1. тачка (д)

Мења се и гласи:

„Закључење писаног споразума или другог правног инструмента између удружења и надлежних органа стране уговорнице на чијем је подручју удружење основано укључујући да то удружење прихвати своје обавезе из става 3.“

Прилог 9 Део I став 1. после тачке (д)

Додаје се став 2, који гласи:

„Оверен примерак писаног споразума или другог правног инструмента, из става 1. тачка (д) заједно, уколико је потребно, са овереним преводом на енглеском, француском или руском језику, биће депонован код Извршног одбора TIR. О свим изменама писаног споразума или другог правног инструмента одмах ће се обавестити Извршни одбор TIR.“

Прилог 9 Део I став 1. тачка (ф)

Замењује се ст. 3. и 4. који гласе:

„3. Обавезе удружења су да:

- (i) испуњава обавезе из члана 8. Конвенције;
- (ii) прихвати највећи износ по карнету TIR, који утврди страна уговорница и који може да се затражи од удружења, а у складу са чланом 8. став 3. Конвенције;
- (iii) стално врши контролу, а посебно пре него што затражи одобрење да лица могу да приступе поступку TIR да та лица испуњавају минимум услова и захтева који су прописани у делу II овог прилога;
- (iv) обезбеди обезбеђење за све финансијске обавезе настале у земљи у којој је удружење основано, а у вези са пословањем са карнетима TIR, које оно издаје, као и са исправама које су издала страна удружења учлањена у исту међународну организацију у коју је учлањено и то удружење;
- (v) измири своје финансијске обавезе, на задовољство надлежних органа страна уговорница у којима су основана, са осигуравајућим друштвом, пулом осигураватеља или финансијском институцијом. Уговор о осигурању или уговор о финансијској гаранцији покриће у потпуности финансијске обавезе удружења настале у вези са пословањем са карнетом TIR које је издало то удружење или које су издала страна удружења учлањена у исту међународну организацију у коју је учлањено и то удружење.

Рок за писмено отказивање уговора о осигурању или о финансијској гаранцији не може да буде краћи од рока који је утврђен за писано отказивање писаног споразума или другог правног инструмента из става 1.

тачка (д). Оверен примерак уговора о осигурању или о финансијској гаранцији, као и примерци свих његових накнадних измена и допуна депоноваће се код Извршног одбора TIR, укључујући и његов оверен превод, уколико је потребно, на енглеском, француском или руском језику;

(vi) достави Извршном одбору TIR, једном годишње, 1. марта, цену свих врста TIR карнета које оно издаје;

(vii) дозволи надлежним органима да врше контролу свих евиденција, укључујући и књиговодствене евиденције које се односе на пословање и спровођење поступка TIR;

(viii) прихвати поступак за ефикасно решавање спорова који настану због неправилног или непрописног коришћења карнета TIR, кад год је то могуће без тражења помоћи судова;

(ix) доследно поштује одлуке које су донели надлежни органи страна уговорница у којима су удружења основана, а односе се на поништавање или повлачење овлашћења у складу са чланом 6. Конвенције или Делом II овог прилога или искључивање лица у складу са чланом 38. Конвенције;

(x) сагласи се да ће доследно спроводити све одлуке које је усвојио Административни комитет и Извршни одбор TIR у оној мери у којој су те одлуке прихватили надлежни органи страна уговорница у којима су удружења основана.

4. Када се од удружења гаранта захтева да, у складу с поступком из члана 11. уплати суму из члана 8. ст. 1. и 2, удружење гарант ће, у складу са писаним споразумом из Објашњења 0.6.2бис-1 до члана 6, став 2 бис, обавестити међународну организацију о пријему захтева."

Прилог 9 Део I

Ставови 2, 3 и 4 постају ставови 5, 6 и 7.

Прилог 9 Део I став 5.

Мења се и гласи:

„5. Уговорна страна у којој је удружење основано укинуће овлашћење за издавање TIR карнета и да делује као гарант у случају непоштовања ових услова и захтева. Ако уговорна страна одлучи да укине овлашћење, одлука ступа на снагу најраније три (3) месеца од дана укидања."

Прилог 9 Део I

У ставу 7. брише се реч: „Минимум“ испред речи: „услови“.

Измене и допуне 30

(Измене и допуне које су усвојене у складу са чл. 59. и 60. Конвенције и које су ступиле на снагу 13. септембра 2012. године)

ПРЕДЛОГ ИЗМЕНА И ДОПУНА КОНВЕНЦИЈЕ TIR, 1975

усвојен од стране
Административног комитета за Конвенцију TIR
3. фебруара 2011. године

Члан 1. став 1. тачка (q) ред 1.

Замењује се реч: „одобрено“ са речју: „овлашћено“.

Члан 1. став 1.

После тачке (q), додаје се нова тачка (r) која гласи:

„(r) појам „међународна организација“ означава организацију коју је Административни комитет овластио да преузме одговорност за ефикасну организацију и функционисање међународног система гаранција.“

Члан 8. став 1.

Мења се и гласи:

„1. Удружење гарант обавезује се да ће уплатити до максималног износа гарантоване суме увозних и извозних дажбина и пореза, као и све затезне камате које се захтевају на основу царинских закона и прописа уговорне стране у којој је уочена неправилност проузроковала подношење захтева против удружења гаранта у вези са пословима TIR. Удружење се обавезује да ће уплатити напред наведене износе, заједно и солидарно с лицем које дугује те износе.“

Члан 8. став 7.

Брише се.

Члан 10. ставу 2.

Реч: „земља“ замењује се речима: „уговорна страна“.

Члан 11. став 1.

Мења се и гласи:

„1. Ако посао TIR није раздужен, надлежни органи ће:

(а) обавестити држаоца TIR карнета, на његовој адреси наведеној у TIR карнету, да TIR карнет није раздужен;

(б) обавестити гарантно удружење да TIR карнет није раздужен.

Надлежни органи ће обавестити удружење гаранта у року од највише годину дана од дана прихватања TIR карнета од стране тих органа или две године у случају када је доказ о раздужењу посла TIR фалсификован или добијен противзаконито или преваром.“

Члан 11. став 1.

После става 1. додаје се нови став 2. који гласи:

„2. Када износи из члана 8. ст. 1. и 2. доспеју на наплату, надлежни органи ће пре него што упуте захтев удружењу гаранту, затражити, уколико је то могуће, да уплату изврше непосредно одговорна лица.“

Члан 11. став 2.

Ставови 2. и 3, постају ст. 3. и 4.

Члан 11. став 3.

Мења се и гласи:

„3. Захтев за плаћања износа из члана 8. ст. 1. и 2. доставиће се удружењу гаранту најраније три месеца по истеку датума када је то удружење обавештено да исправа није раздужена или да је доказ о раздужењу посла TIR добијен противзаконито или преваром, а најкасније две године по истеку тог датума. Међутим, у случајевима који, у току горе назначеног рока од две године, постану предмет управног или судског поступка, захтев за плаћање лицу или лицима из става 2. овог члана, подноси се у року од једне године од дана када одлука надлежних органа или судска одлука постане извршна.“

Члан 11. став 4.

Мења се и гласи:

„4. Удружење гарант ће имати рок од три месеца, рачунајући од датума када је поднет захтев за плаћање, у ком треба да уплати тражене износе.

5. Уплаћени износи биће враћени удружењу, ако се у року од две године од дана подношења захтева за плаћање, надлежним органима доставе уверљиви докази да, није било неправилности у вези са одређеним TIR послом. Рок од две године може се продужити у складу са националним законодавством.“

Измена и допуна 31

(Измена и допуна које су усвојене у складу са чл. 59. и 60. Конвенције и које су ступиле на снагу 10. октобра 2013. године)

ПРЕДЛОГ ИЗМЕНЕ И ДОПУНЕ КОНВЕНЦИЈЕ TIR, 1975

усвојен од стране

Административног комитета за Конвенцију TIR

9. фебруара 2012. године

Члан 6. став 2. бис

Мења се и гласи:

„2 бис. Административни комитет ће овластити међународну организацију да преузме одговорност за ефикасно организовање и функционисање

међународног система гаранција. Овлашћење се даје организацији све док испуњава услове и захтеве утврђене Прилогом 9. Део III. Административни комитет може укинути овлашћење ако ови услови и захтеви више нису испуњени.”

Прилог 9

После Дела II, додаје се Део III, који гласи:

„Овлашћење међународне организације, како је наведено у члану 6, да преузме одговорност за ефикасну организацију и функционисање међународног система гаранција и да штампа и дистрибуира TIR карнете

Услови и захтеви

1. Услови и захтеви које треба да испуњава међународна организација да би је Административни комитет овластио да преузме одговорност за ефикасно организовање и функционисање међународног система гаранција и за штампање и дистрибуцију TIR карнета, у складу са чланом 6.2 бис Конвенције, су:

(а) доказ о солидној професионалној оспособљености и финансијском стању за ефикасно организовање и функционисање међународног система гаранција и организационе способности за испуњавање обавеза из Конвенције путем годишњег подношења консолидованих финансијских извештаја контролисаних од међународно признатих независних ревизора;

(б) да није извршила озбиљан прекршај царинских или пореских прописа, односно да се ти прописи не крше учестало.

2. У складу са овлашћењем, међународна организација ће:

(а) обезбедити уговорним странама TIR Конвенције, преко националних асоцијација чланица међународне организације, оверене копије глобалног уговора о гаранцијама и доказ о покрићу гаранције;

(б) пружити надлежним органима TIR Конвенције информације о правилима и поступцима утврђеним за издавање TIR карнета од стране националних асоцијација;

(ц) једном годишње достављати надлежним органима TIR Конвенције податке о поднетим, нерешеним, наплаћеним или захтевима решеним без наплате;

(д) пружити надлежним органима TIR Конвенције свеобухватне и потпуне информације о функционисању TIR система, а посебно, благовремене и веродостојне информације о тенденцијама у броју незавршених TIR послова, поднетим, нерешеним, наплаћеним или захтевима решеним без наплате, које би могле изазвати забринутост у погледу исправног функционисања TIR система или довести до потешкоћа за наставак рада његовог међународног система гаранција;

- (е) доставити надлежним органима TIR Конвенције статистичке податке о броју TIR карнета, по врстама, расподељених свакој уговорној страни;
- (ф) Извршном одбору TIR-а доставити податке о цени дистрибуције међународне организације, по врсти TIR карнета;
- (г) предузети све могуће мере за смањење ризика од фалсификовања TIR карнета;
- (х) предузети одговарајуће корективне мере у случајевима када су уочене грешке или недостаци у TIR карнетима и о томе известити Извршни одбор TIR-а;
- (ј) на позив Извршног одбор TIR-а, узети учешће за олакшавање решавања спорова;
- (к) осигурати правовремено обавештавање Извршног одбор TIR-а о свим потешкоћама које укључују поступке преваре или друге потешкоће у вези са применом Конвенције TIR;
- (л) управљати системом контроле TIR карнета у складу са Прилогом 10 Конвенције, заједно са националним гарантним удружењима чланицама међународне организације и царинским органима и обавештавати уговорне стране и надлежна тела Конвенције о проблемима у функционисању система;
- (м) доставити надлежним органима Конвенције TIR статистику и податке о учинку уговорних страна у погледу система контроле предвиђеном у Анексу 10;
- (н) закључити, најмање два месеца пре прописаног датума ступања на снагу или обнављања овлашћења датог у складу са чланом 6.2 бис Конвенције, писани споразум са Секретаријатом UNECE, који је овлашћен и који делује у име Административног комитета, што укључује и прихватање, од стране међународне организације, њених дужности из овог става.

3. Када гарантно удружење обавести међународну организацију о захтеву за плаћање, она ће, у року од три (3) месеца, обавестити гарантно удружење о свом ставу у вези са захтевом.

4. Све информације, добијене директно или индиректно од међународне организације у складу са Конвенцијом, а које су поверљиве, обухваћене су обавезом чувања професионалне тајне и неће се користити у комерцијалне сврхе или у било које друге сврхе, или давати трећим лицима, без одобрења лица или органа који их је доставило. Такве информације се, међутим, могу давати, без одобрења, надлежним органима уговорних страна ове конвенције, ако за то постоји овлашћење или обавеза према одредбама националног или међународног права или у вези са правним поступком. Откривање или саопштавање информација одвијаће се у потпуности у складу са важећим одредбама о заштити података.

5. Административни комитет имаће право да укине овлашћење издато у складу са чланом 6.2 бис у случају непоштовања напред наведених услова и захтева. Уколико Административни комитет одлучи да укине овлашћење, одлука ступа на снагу најраније шест (6) месеци од дана укидања.

6. Овлашћење међународне организације под наведеним условима не доводи у питање обавезе и одговорности те организације према Конвенцији.”

Измене 32

(Измене које су усвојене у складу са чланом 60.
Конвенције и које су ступиле на снагу 1. јануара 2015. године)

ПРЕДЛОГ ИЗМЕНА КОНВЕНЦИЈЕ TIR, 1975

усвојен од стране
Административног комитета за Конвенцију TIR из 1975. године
6. фебруар 2014. године и 12. јун 2014. године

Прилог 1 страна 11 тачка (5)

Израз ХС тарифна ознака: 24.03.10 замењује се изразом ХС тарифна ознака: 24.03.11 и 24.03.19

Прилог 9 део I став 3. тачка (vi)

Мења се и гласи:

„(vi) доставља TIR Извшном одбору, годишње, до 1. марта текуће године, цене по врстама издатих TIR карнета.”

Измене и допуне 33

(Измене и допуне које су усвојене у складу са чланом 60.
Конвенције и које су ступиле на снагу 1. јануара 2017. године)

Предлог измена и допуна Конвенције TIR из 1975

усвојен од стране
Административног комитета за Конвенцију TIR
10–11 фебруар 2016. године

Прилог 2 члан 4. став 2. тачка (i)

Мења се и гласи:

„(i) Покретне цираде, под, врата и сви остали саставни делови одељка за робу, морају да буду спојени помоћу механизма на такав начин да се не могу уклонити и заменити споља без остављања видљивих трагова, или на такав начин да настала конструкција не може бити измењена без остављања видљивих трагова.”

Прилог 2 члан 4. став 2. тачка (iii)

Мења се и гласи:

„(iii) Вођица покретне цираде, механизми за затезање покретне цираде и остали покретни делови, морају да буду спојени на такав начин, да се врата, која су затворена и на која је стављено царинско обележје, и остали покретни делови, не могу отворити или затворити са спољне стране без остављања видљивих трагова. Вођица покретне цираде, уређаји за затезање покретне цираде и остали покретни делови морају да буду спојени на такав начин да је немогуће приступити одељку за робу без остављања видљивих трагова.

Опис овог система конструкције дат је у цртежу број 9 приложеном овим прописима.”

Прилог 2 после члана 4. додаје се нови члан 5. који гласи:

„Члан 5.

Возила са кровним покретним цирадама

1. Где год је то примењиво, одредбе чл. 1, 2, 3. и 4. ових прописа ће се односити на возила са кровним покретним цирадама. Осим тога, ова возила ће се придржавати одредби овог члана.

2. Кровне покретне цираде морају испуњавати захтеве наведене у тачкама (i) до (iii) у наставку.

(i) Кровне покретне цираде морају бити спојене помоћу уређаја на такав начин да се не могу уклонити и заменити споља без остављања видљивих трагова, или на такав начин да настала конструкција не може бити измењена без остављања видљивих трагова.

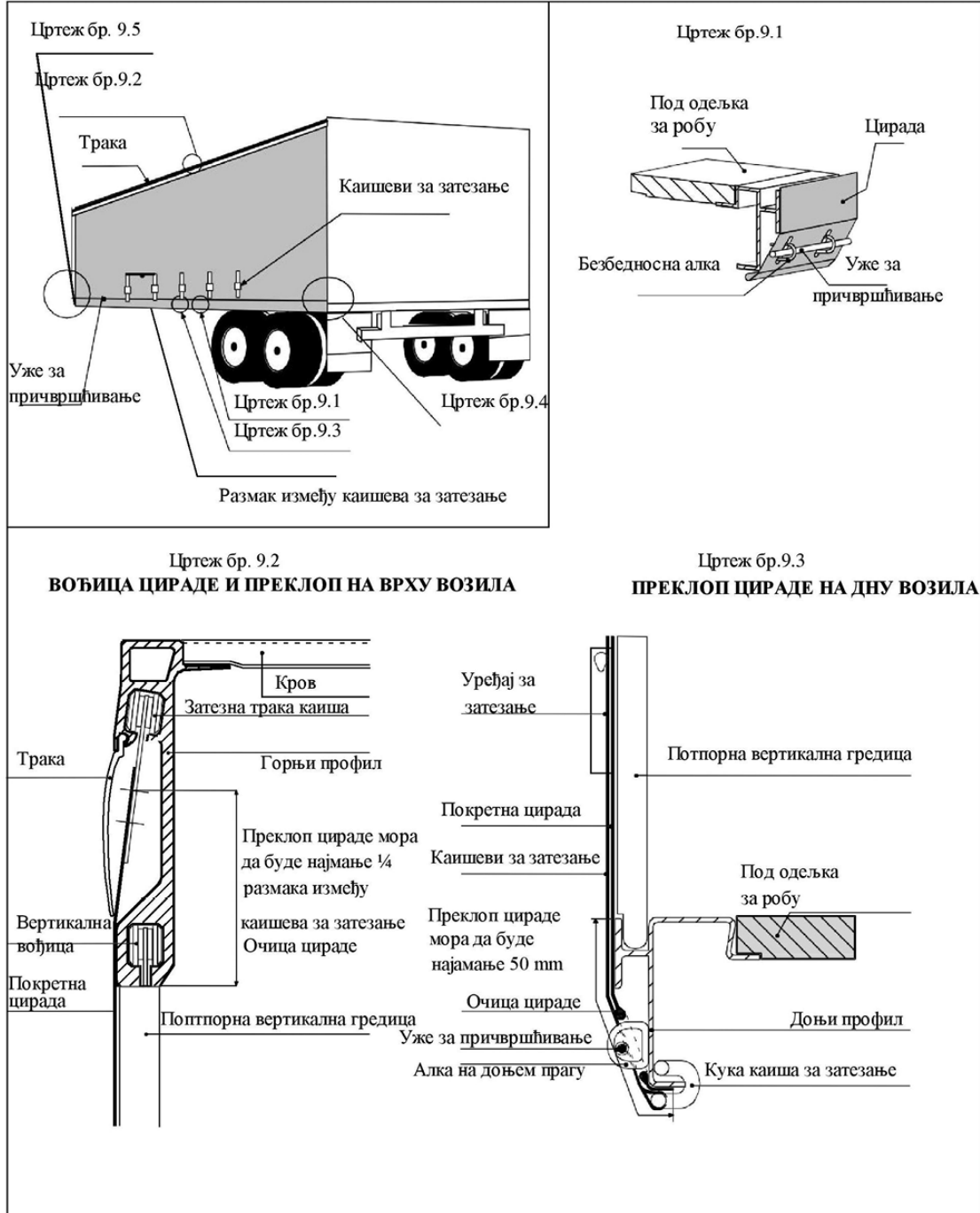
(ii) Кровне покретне цираде преклапају се са чврстим делом крова на предњој страни товарног простора тако да кровну цираду није могуће превући преко ивице горње вођице. Са обе стране товарног простора целом дужином у поруб кровне цираде умеће се пренапрегнута челична сајла на такав начин да је није могуће уклонити и поново уметнути без остављања видљивих трагова. Кровна цирада мора бити причвршћена на клизне носаче на такав начин да је није могуће уклонити и поново учврстити без остављања видљивих трагова.

(iii) Вођица за кровне покретне цираде, уређаји за затезање кровне покретне цираде и остали покретни делови, морају да буду спојени на такав начин, да када су затворени и на њих стављено царинско обележје, не могу се отворити или затворити са спољне стране без остављања видљивих трагова. Вођица за кровне покретне цираде, уређаји за затезање покретне кровне цираде и остали покретни делови морају да буду спојени на такав начина да после стављања уређаја за затварање није могуће приступити одељку за робу без остављања видљивих трагова.

Пример могућег система конструкције приказан је у цртежу број 10 приложеног овим прописима.”

Прилог 2, цртеж број 9
 Постојећи цртеж број 9 замењује се

Цртеж бр. 9
ПРИМЕР КОНСТРУКЦИЈЕ ВОЗИЛА СА ПОКРЕТНИМ ЦИРАДАМА

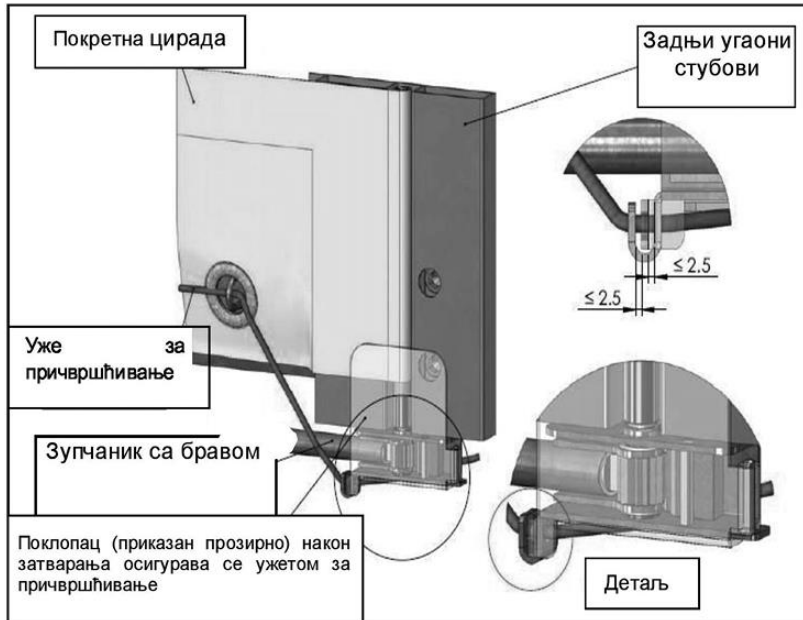


Цртеж бр. 9 наставак

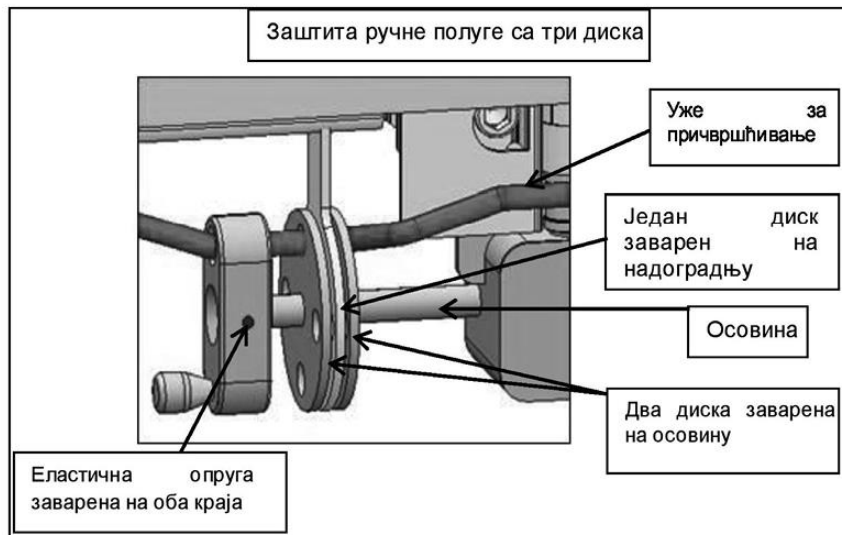
Цртеж бр. 9.4

У водоравном смеру покретне цираде се затежу зупчаником са бравом (обично на задњем делу возила). На цртежу су приказана два примера, (а) и (б), како се могу осигурати зупчаник са бравом или механизам зупчаника.

(а) Осигуравање зупчаника са бравом



(б) Осигуравање механизма зупчаника

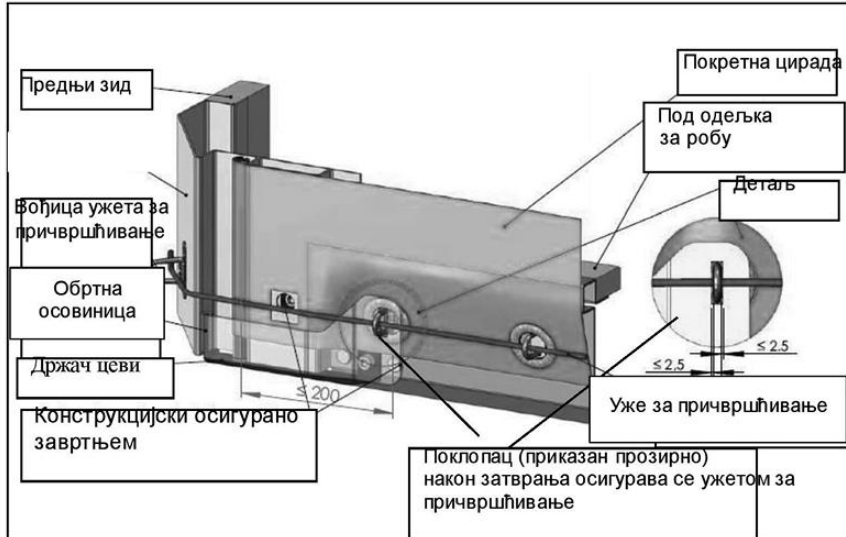


Цртеж бр. 9 наставак

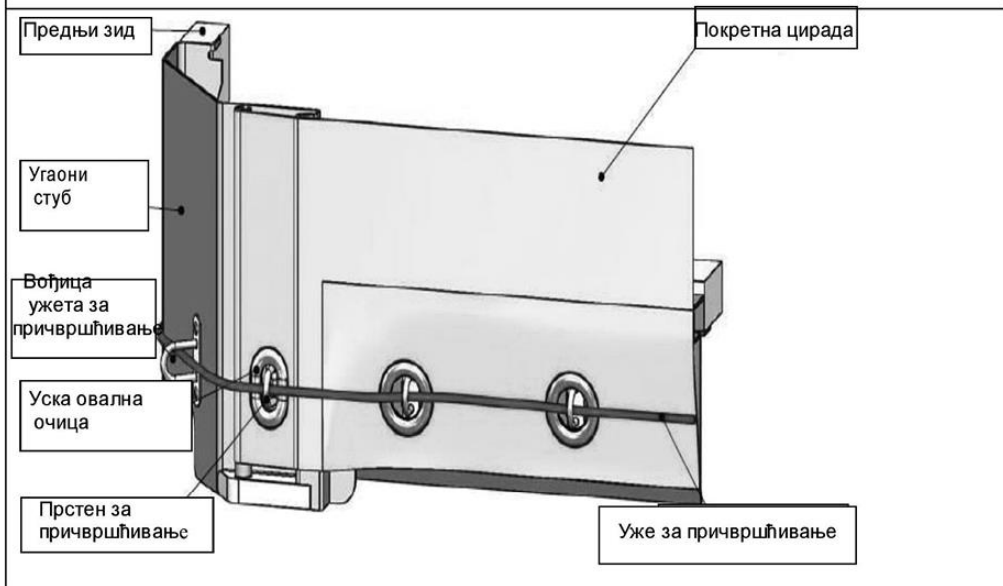
Цртеж бр. 9.5

За учвршћивање покретне цираде на другу страну (обично на предњој страни возила), могу се употребити следећа два система, (а) или (б).

а) Поклопац



б) Уска овална очица, систем против подизања за механизам за затезање

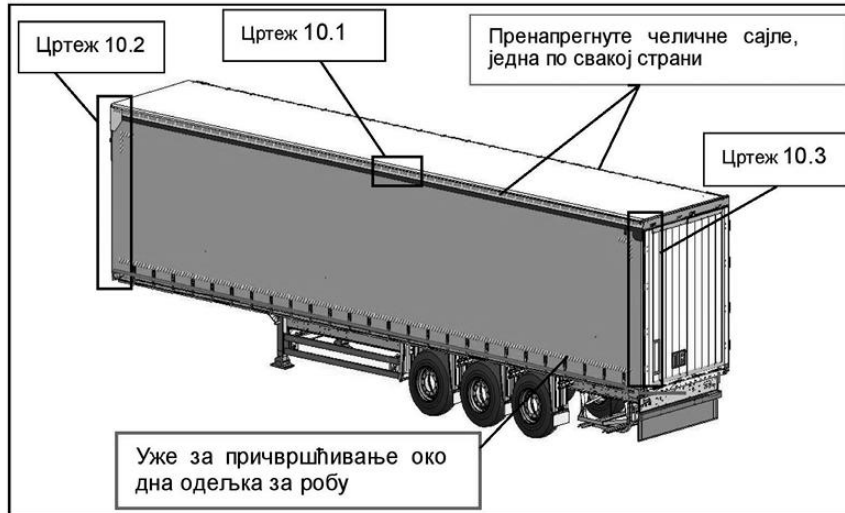


Прилог 2, нови цртеж број 10
После цртежа број 9 додаје се

Цртеж број 10

ПРИМЕР КОНСТРУКЦИЈЕ ВОЗИЛА СА ПОКРЕТНИМ КРОВНИМ ЦИРАДАМА

На цртежу је приказан пример возила и важних захтева описаних у члану 5. ових прописа.



Цртеж бр. 10.1

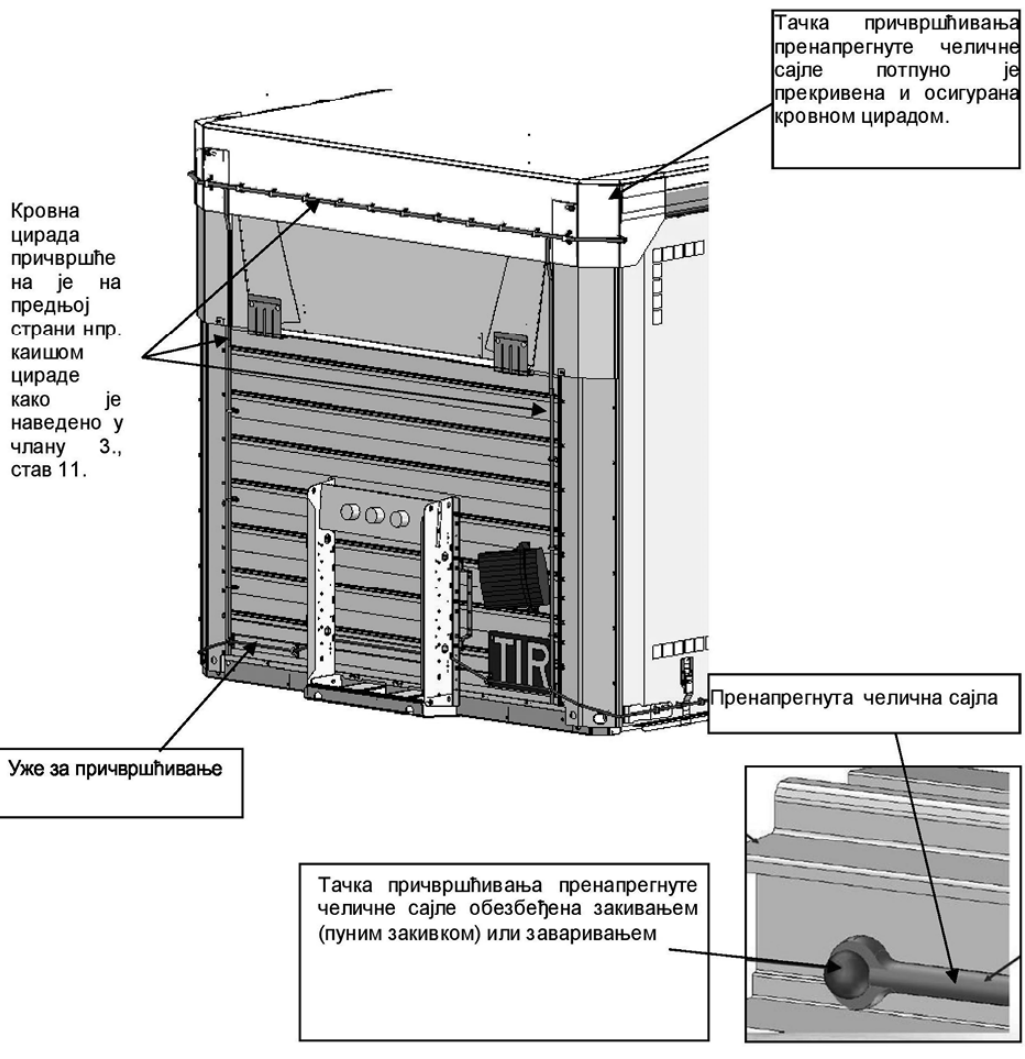
Две пренапрегнуте челичне сајле, уграђене у поруб, причвршћене су са обе стране товарног простора. Свака од њих је причвршћена на предњој страни (види цртеж 10.2) и на задњој страни каросерије (надградње) (види цртеж 10.3). Затезна сила и спојни диск на свакој страни клизних носача, спречавају подизање поруба с пренапрегнутом челичном сајлом изнад горње вођице.



Цртеж бр. 10 наставак

Цртеж бр.10.2

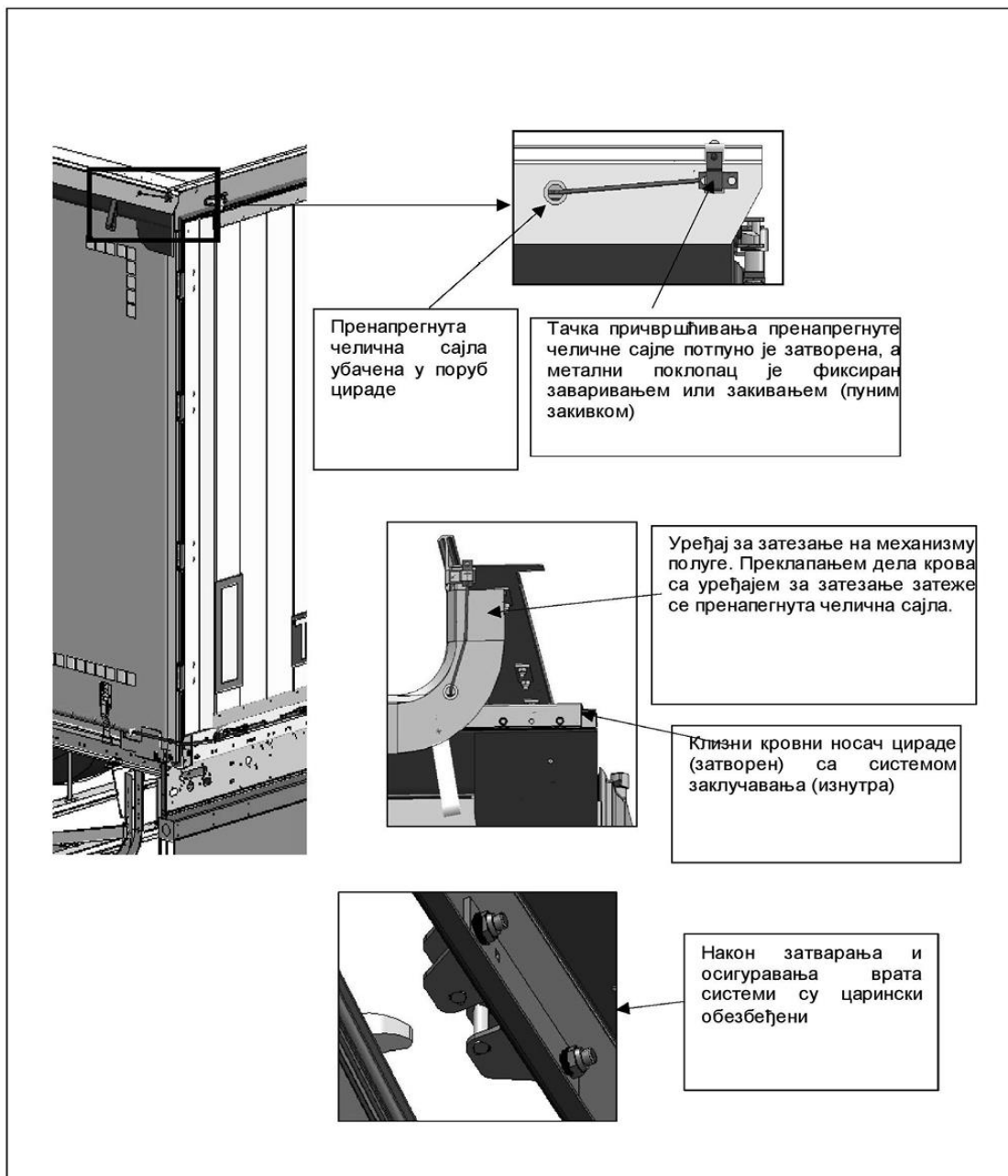
Покретна кровна цирада прекрива чврсти део крова на предњој страни товарног простора, те на тај начин спречава подизање кровне цираде преко ивице горње вођице.



Цртеж број 10 наставак

Цртеж број 10.3

На задњој страни крова уграђује се посебан уређај, попут преградне плоче, којим се након затварања и осигуравања врата, спречава приступ товарном простору без остављања видљивих трагова.



Прилог 7, Део I, члан 5, став 2, тачка (i)

Мења се и гласи:

„(i) Покретне цираде, под, врата и сви остали саставни делови контејнера, морају да буду спојени помоћу механизма на такав начин да се не могу уклонити и заменити споља без остављања видљивих трагова, или на такав

начин да настала конструкција не може бити измењена без остављања видљивих трагова.”

Прилог 7, Део I, члан 5, став 2, тачка (iii)

Мења се и гласи:

„(iii) Вођица покретне цираде, механизми за затезање покретне цираде и остали покретни делови, морају да буду спојени на такав начин, да се врата, која су затворена и на која је стављено царинско обележје, и остали покретни делови, не могу отворити или затворити са спољне стране без остављања видљивих трагова. Вођица покретне цираде, механизми за затезање покретне цираде и остали покретни делови морају да буду спојени на такав начин да није могуће приступити одељку за робу без остављања видљивих трагова. Опис овог система конструкције дат је у цртежу број 9 приложеном овим прописима.”

Прилог 7, Део I

После измењеног члана 5. додаје се нови члан 6, који гласи:

„Члан 6.

КОНТЕЈНЕРИ СА КРОВНИМ ПОКРЕТНИМ ЦИРАДАМА

1. Где год је то примењиво, одредбе чл. 1, 2, 3. и 4. ових прописа ће се односити на контејнере са кровним покретним цирадама. Осим тога, ови контејнери ће се придржавати одредби овог члана.

2. Кровне покретне цираде морају испуњавати захтеве наведне у тачкама (i) до (iii) у наставку.

(i) Кровне покретне цираде морају бити спојене помоћу уређаја на такав начин да се не могу уклонити и заменити споља без остављања видљивих трагова, или на такав начин да настала конструкција не може бити измењена без остављања видљивих трагова.

(ii) Кровне покретне цираде преклапају се са чврстим делом крова на предњој страни контејнера тако да кровну цираду није могуће превући преко ивице горње вођице. Са обе стране контејнера целом дужином у поруб кровне цираде умеће се пренапрегнута челична сајла на такав начин да је није могуће уклонити и поново уметнути без остављања видљивих трагова. Кровна цирада мора бити причвршћена на клизне носаче на такав начин да је није могуће уклонити и поново учврстити без остављања видљивих трагова.

(iii) Вођица за кровне покретне цираде, уређаји за затезање кровне покретне цираде и остали покретни делови, морају да буду спојени на такав начин, да када су затворени и на њих стављено царинско обележје, не могу се отворити или затворити са спољне стране без остављања видљивих трагова. Вођица за кровне покретне цираде, механизми за затезање

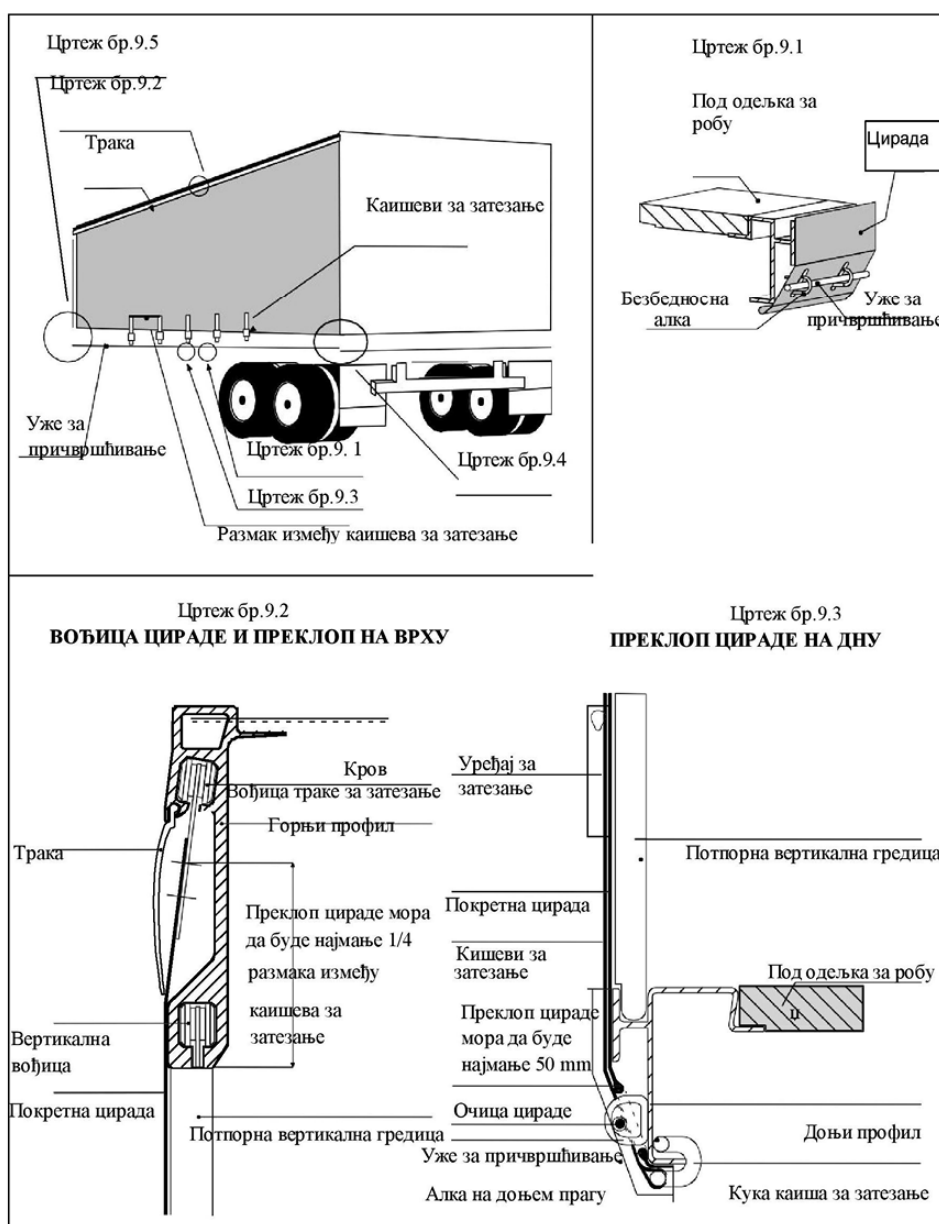
покретне кровне циrade и остали покретни делови морају да буду спојени на такав начин да је после стављања механизма за затварање немогуће приступити одељку за робу без остављања видљивих трагова.

Пример могућег система конструкције приказан је у цртежу број 10 приложеног овим прописима."

Прилог 7, Део I, цртеж број 9
Постојећи цртеж број 9 замењује се

Цртеж бр. 9

ПРИМЕР КОНСТРУКЦИЈЕ КОНТЕЈНЕРА СА ПОКРЕТНИМ ЦИРАДАМА

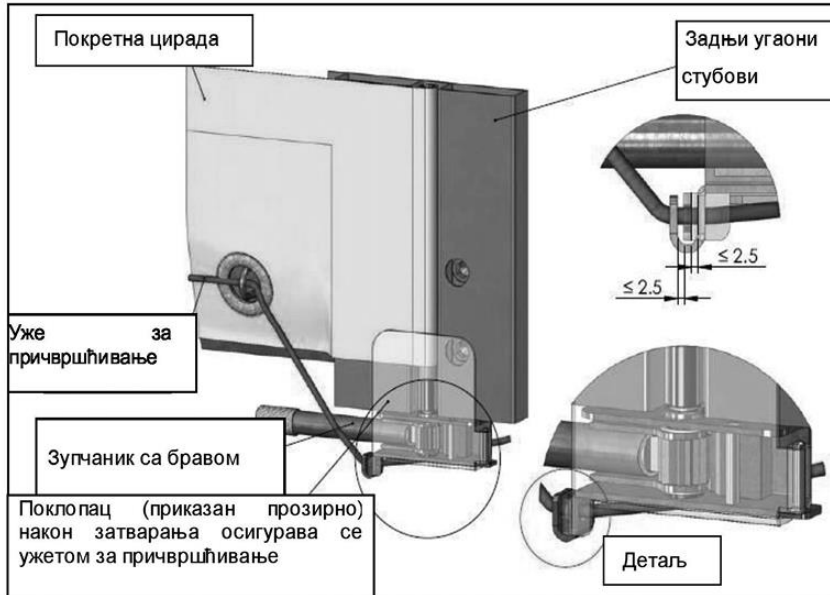


Цртеж бр. 9 наставак

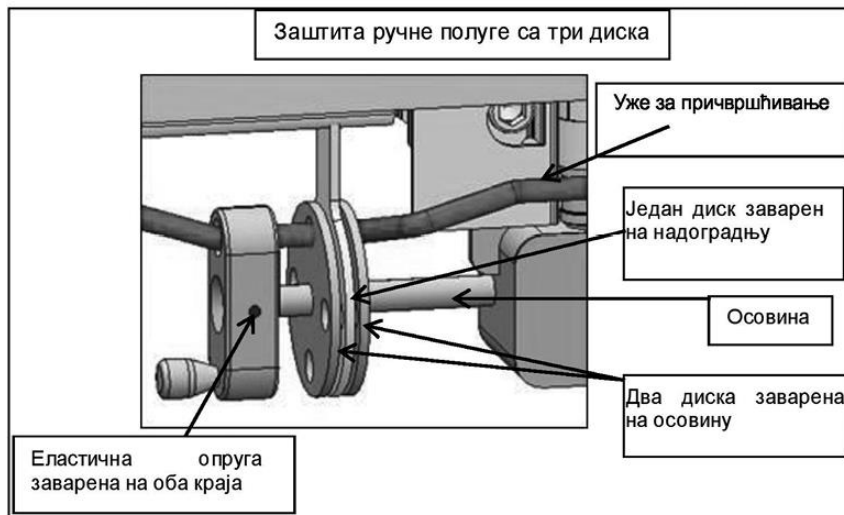
Цртеж бр. 9.4

У водоравном смеру покретне цираде се затежу зупчаником са бравом (обично на задњем делу контејнера). На цртежу су приказана два примера, (а) и (б), како се могу осигурати зупчаник са бравом или механизам зупчаника.

(а) Осигуравање зупчаника са бравом



(б) Осигуравање механизма зупчаника

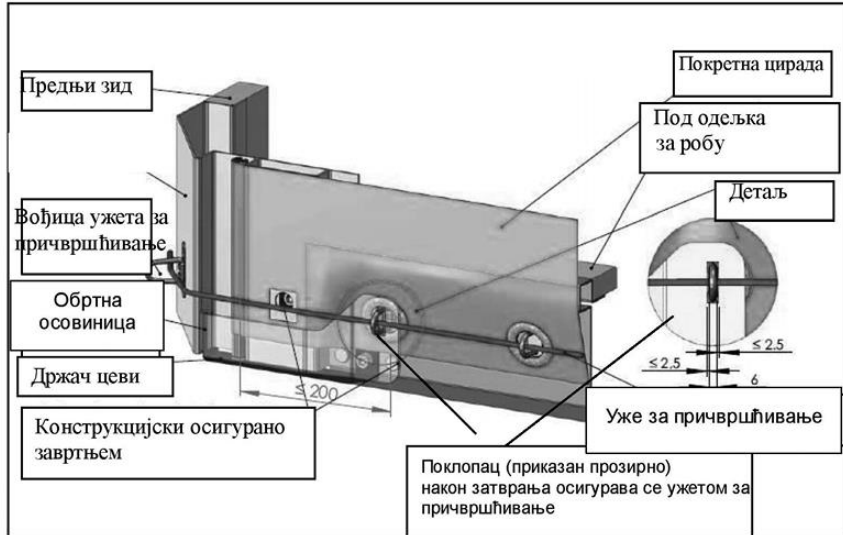


Цртеж број 9 наставак

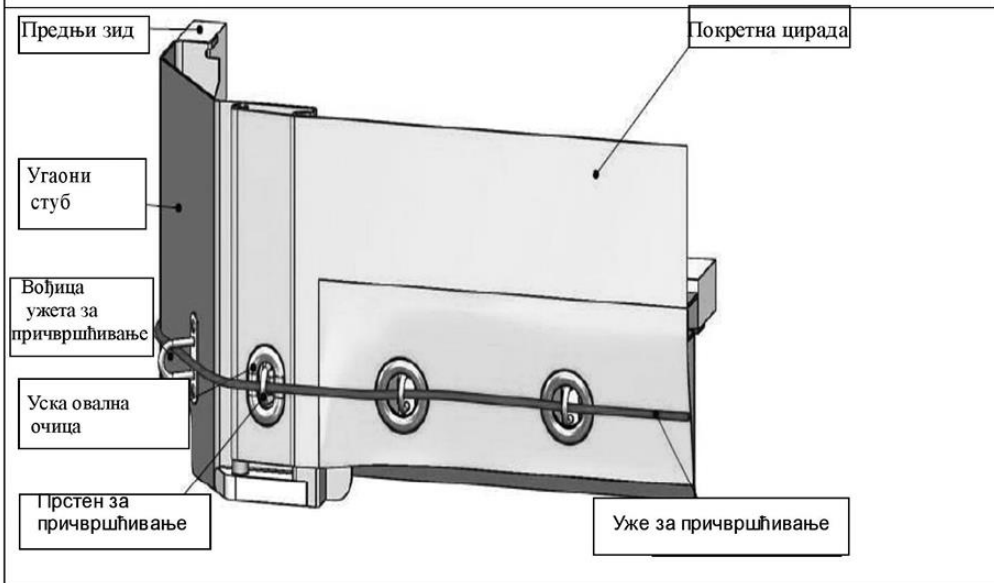
Цртеж бр. 9.5

За учвршћивање покретне цираде на другу страну (обично на предњој страни возила), могу се употребити следећа два система, (а) или (б).

а) Поклопац



б) Уска овална очица, систем против подизања за механизам за затезање

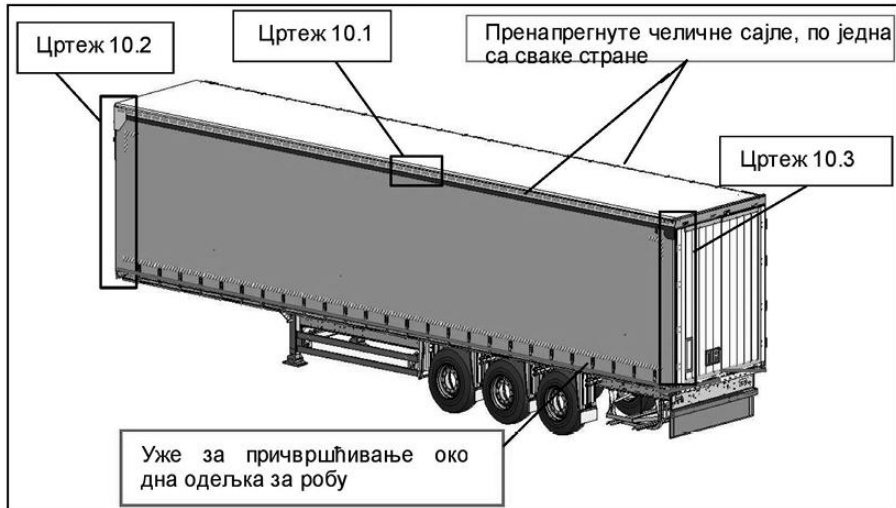


Прилог 7, Део I, нови цртеж број 10
После цртежа број 9 додаје се

Цртеж бр. 10

**ПРИМЕР КОНСТРУКЦИЈЕ КОНТЕЈНЕРА СА ПОКРЕТНИМ КРОВНИМ
ЦИРАДАМА**

На цртежу је приказан пример контејнера и важних захтева описаних у члану 6. ових прописа.



Цртеж бр. 10.1

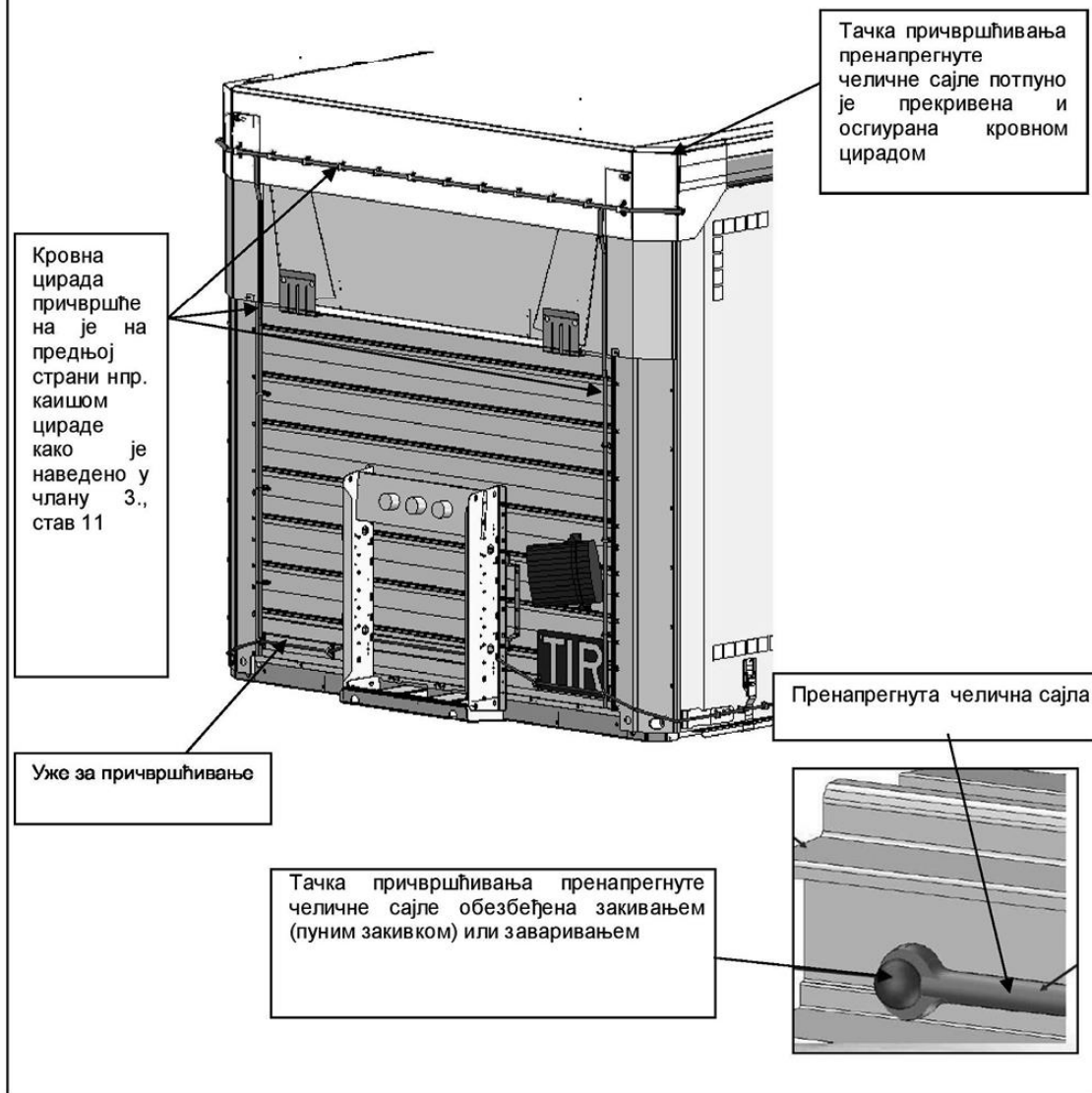
Две пренапегнуте челичне сајле, уграђене у поруб, причвршћене су са обе стране контејнера. Свака од њих је причвршћена на предњој страни (види цртеж 10.2) и на задњој страни каросерије (види цртеж 10.3). Затезна сила и спојни дискови на клизним носачима, спречавају подизање поруба с пренапегнутом челичном сајлом изнад горње вођице.



Цртеж бр. 10 наставак

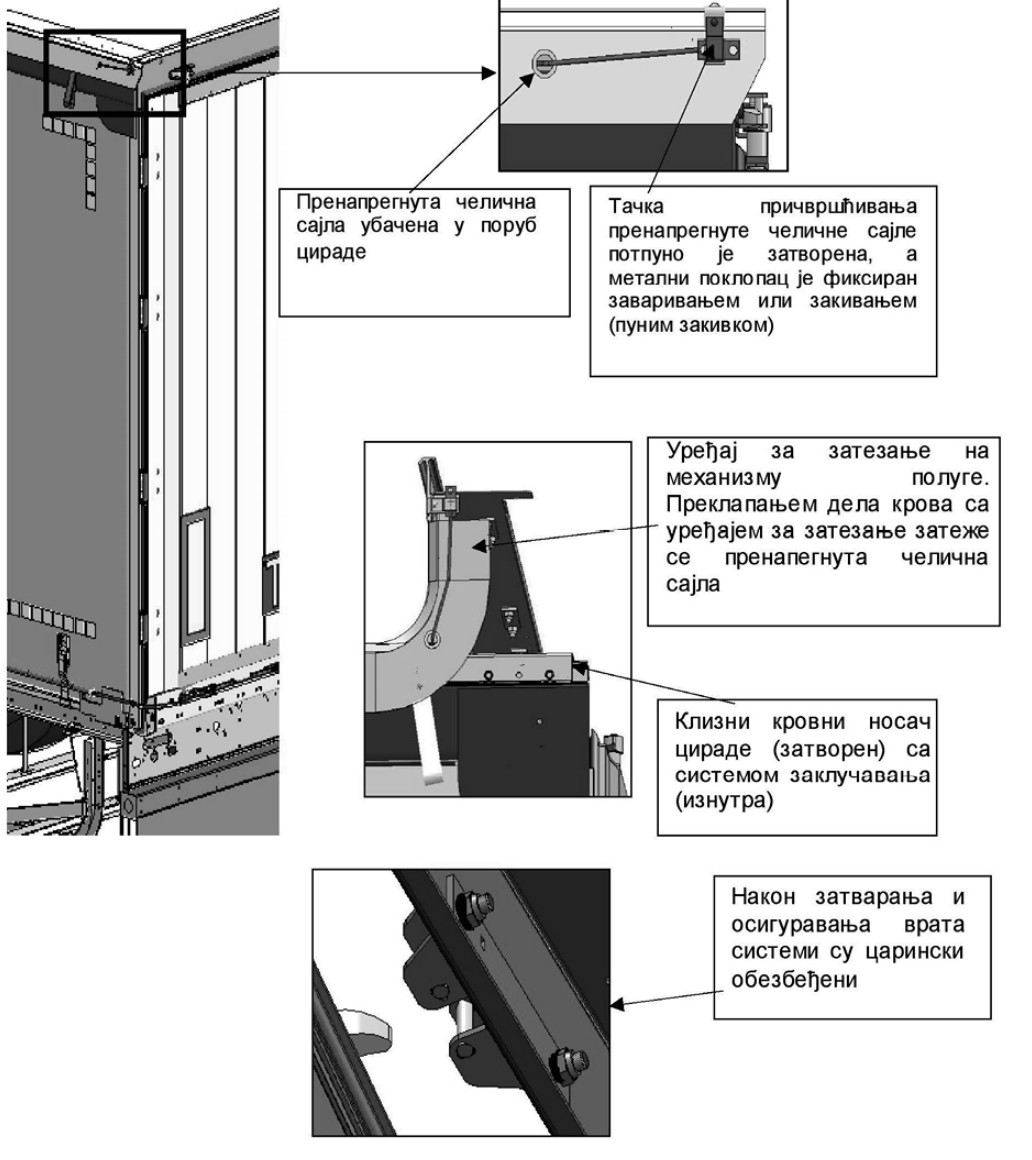
Цртеж бр.10.2

Покретна кровна цирада прекрива чврсти део крова на предњој страни контејнера, те на тај начин спречава подизање кровне цираде преко ивице горње вођице.



Цртеж бр.10.3

На задњој страни крова уграђује се посебан уређај, попут преградне плоче, којим се након затварања и осигуравања врата, спречава приступ товарном простору без остављања видљивих трагова.



Измене и допуне 34

(Измене и допуне које су усвојене у складу са чланом 60. Конвенције и која је ступила на снагу 1. јула 2018.)

ПРЕДЛОГ ИЗМЕНА И ДОПУНА КОНВЕНЦИЈЕ TIR, 1975

усвојен од стране
Административног комитета за Конвенцију TIR
12. октобра 2017.

Прилог 8 члан 1а бис

После става 3. додају се ст. 4, 5. и 6. који гласе:

„4. Комитетету се подноси и исти проверава годишње консилодоване финансијске извештаје и ревизорски извештај (е) које је међународна организација поднела у складу са обавезама из Прилога 9, Део III. Као део провера и у оквиру својих овлашћења, Комитет може затражити додатне информације, појашњења или документа обезбеђена од међународне организације или међународно признатог независног ревизора.

5. Не доводећи у питање провере из става 4, Комитет ће, на основу процене ризика, затражити да се изврше додатне провере. Комитет овлашћује Извршни одбор TIR-а или надлежне службе Уједињених нација да спроводу процену ризика.

Обим додатних провера утврђује Комитет, узимајући у обзир процену ризика Извршног одбора TIR-а или надлежних служби Уједињених нација.

Резултате свих провера наведених у овом члану, чува Извршни одбор TIR-а и биће доступан свим уговорним странама на разматрање.

6. Процедуру спровођења додатних провера одобрава Комитет.“

Прилог 9 део I

У поднаслову испред речи: „услова и захтева“ додаје се реч: „Минимум“.

Прилог 9 део I став 1.

Испред речи: „услова и захтева“, додаје се реч: „Минимум“.

Прилог 9 део I став 7.

Речи: „стране уговорнице“ замењују се речима: „свака страна уговорница“.

Прилог 9 део II Поступак, Узорак обрасца одобрења став 1.

Речи: „одобрено удружење“ замењују се речима: „овлашћено удружење“.

Прилог 9 део III став 2.

После тачке (п), додају се нове тачке (о), (р) и (q) које гласе:

„(о) водити одвојене извештаје и рачуне, који садрже информације и документацију која се односи на организацију и функционисање међународног систем гаранција и штампање и дистрибуцију карнета TIR;

(р) обезбедити потпуну и благовремену сарадњу, укључујући неограничен приступ напред наведеним извештајима и рачунима надлежним службама Уједињених нација или било ком другом овлашћеном телу и, у сваком

тренутку, олакшати додатне провере и накнадне контроле које обављају у име уговорних страна, у складу са Прилогом 8, члан 1 бис, ст. 5. и 6;

(q) ангажовати међународно признатог независног ревизора за вршење годишњих ревизија извештаја и рачуна наведених у ставу (o). Међународно признати независни ревизор врши контроле у складу са Међународним ревизорским стандардима (ISA) и резултат контроле наводи у годишњим ревизорским извештају и писму управи који се доставља Комитету."

Измене и допуна 35

(Измене и допуна које су усвојене у складу са чланом 60. Конвенције и које су ступиле на снагу 3. фебруара 2019. године)

ПРЕДЛОГ ИЗМЕНА И ДОПУНЕ КОНВЕНЦИЈЕ TIR, 1975

усвојен од стране
Административног комитета за Конвенцију TIR
12. октобра 2017. године

Члан 1. став (q)

После израза: „царински органи“, додаје се израз: „или други надлежни органи“.

Члан 3. став (b)

Замењује се реч: „одобрени“, се са речју: „овлашћени“.

У члану 6. ставу 2.

Замењује се реч: „одобрено“ са речју: „овлашћено“.

Члан 11. ставу 3.

Замењују се речи: „три месеца“ са речима: „један месец“.

Члан 38. став 1.

Мења се и гласи:

„Свака страна уговорница има право да привремено или трајно лиши права коришћења одредби ове конвенције свако лице које је окривљено за тешку или поновљену повреду царинских прописа или прописа који се примењују приликом међународног превоза робе. Условe за тешку повреду царинских прописа прописује свака страна уговорница.“

Члан 3.

О прихватању измена и допуна техничких прописа који су саставни део Царинске конвенције о међународном превозу робе на основу исправа за МДП (Карнета TIR) (Конвенција TIR, 1975) и њиховој примени у Републици Србији одлучује Влада.

О објављивању техничких прописа из става 1. овог члана стара се министарство надлежно за послове финансија.

Члан 4.

Овај закон ступа на снагу осмог дана од дана објављивања у „Службеном гласнику Републике Србије – Међународни уговори“.